



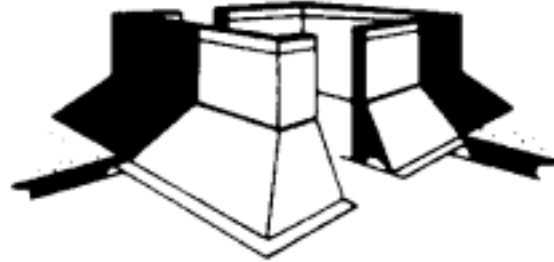
Type CF
Prefabricated Curbs

TYPE CF ROOFED OVER APPLICATION

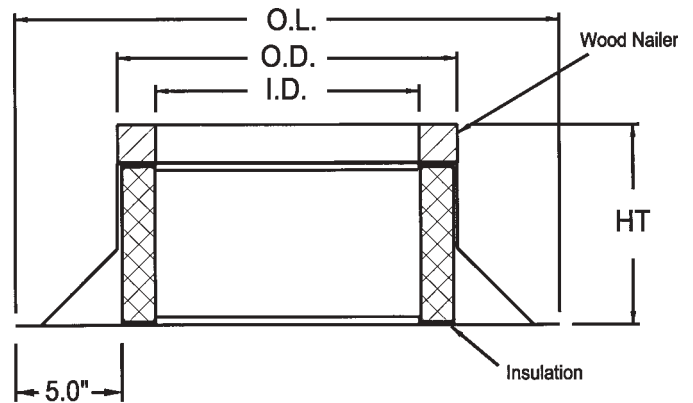
Romlair surface mounted curbs are provided to fit power roof exhausters, intake and relief vents, skylights, smoke hatches, or job fabricated items.

Standard Construction:

- 18 Gauge Galvanized Steel
- Roofed-Over Application
- All Welded Construction
- Mill Finish



ROMLA VENTILATOR CO.
9668-D Heinrich Hertz Drive
San Diego, California 92154
Ph (619) 946-1224 Fax (619) 946-1227



Available Options:

- IS -1-1/2" insulation
- DS -Damper shelf
- BB -Burglar bars, 6" centers each way
- HG -Heavier gauge construction
- ALC -Aluminum construction
- SSC -Stainless steel construction

SPECIFICATIONS

MARK	QTY	CURB TYPE	O.D.	I.D.	O.L.	HT.	GA.	MAT'L	ACCESSORIES

<p>PROJECT: LOCATION: SUBMITTED BY: DATE:</p>	<p>CONTRACTOR: ENGINEER: APPROVED BY: DATE:</p>
--	--



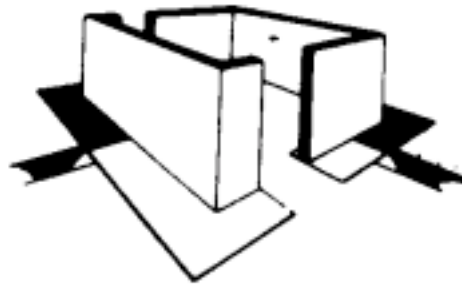
Type SF
Prefabricated Curbs

Romlair surface mounted curbs are provided to fit power roof exhausters, intake and relief vents, skylights, smoke hatches, or job fabricated items.

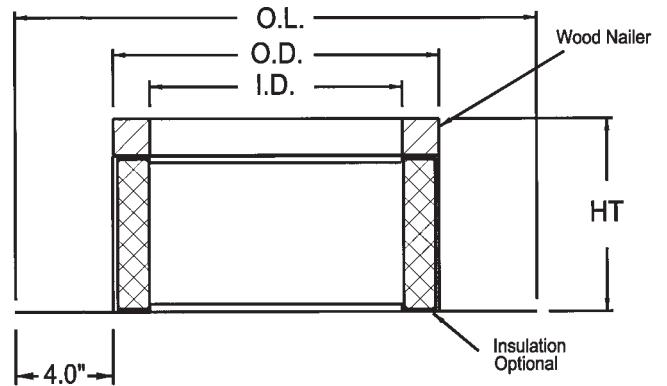
Standard Construction:

- 18 Gauge Galvanized Steel
- Self-Flashing Application
- All Welded Construction
- Mill Finish

TYPE SF SELF-FLASHING CURB



ROMLA VENTILATOR CO.
9668 Heinrich Hertz Drive • Unit D
San Diego, California 92154
Ph (619) 946-1224 Fax (619) 946-1227



Available Options:

- IS -1-1/2" insulation
- DS -Damper shelf
- BB -Burglar bars, 6" centers each way
- HG -Heavier gauge construction
- ALC -Aluminum construction
- SSC -Stainless steel construction



SPECIFICATIONS

MARK	QTY	CURB TYPE	O.D.	I.D.	O.L.	HT.	GA.	P	ACCESSORIES

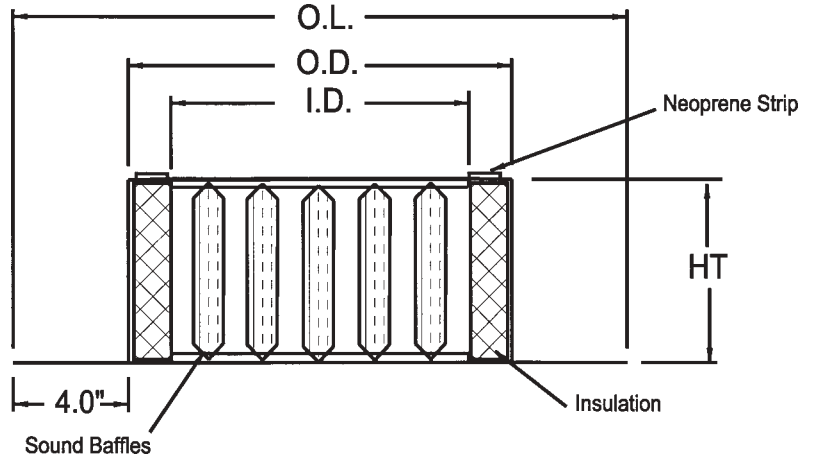
<p>PROJECT: LOCATION: SUBMITTED BY: DATE:</p>	<p>CONTRACTOR: ENGINEER: APPROVED BY: DATE:</p>
---	---



Type SF-S
Self-Flashing Sound Curb

Standard Construction:

- Designed to Reduce Fan Noise Without Adversely Affecting Fan Performance.
- Permanently Constructed Baffles 1-1/2"
- 18 Gauge Galvanized Steel
- Self-Flashing Application
- All Welded Construction
- Mill Finish



ROMLA VENTILATOR CO.
 9668 Heinrich Hertz Drive • Unit D
 San Diego, California 92154
 Ph (619) 946-1224 Fax (619) 946-1227

Available Options:

- DS -Damper shelf
- BB -Burglar bars, 6" centers each way
- HG -Heavier gauge construction
- ALC -Aluminum construction
- SSC -Stainless steel construction

SPECIFICATIONS

MARK	QTY	CURB TYPE	O.D.	I.D.	O.L.	HT.	GA.	MAT'L	ACCESSORIES

<p>PROJECT: LOCATION: SUBMITTED BY: DATE:</p>	<p>CONTRACTOR: ENGINEER: APPROVED BY: DATE:</p>
--	--

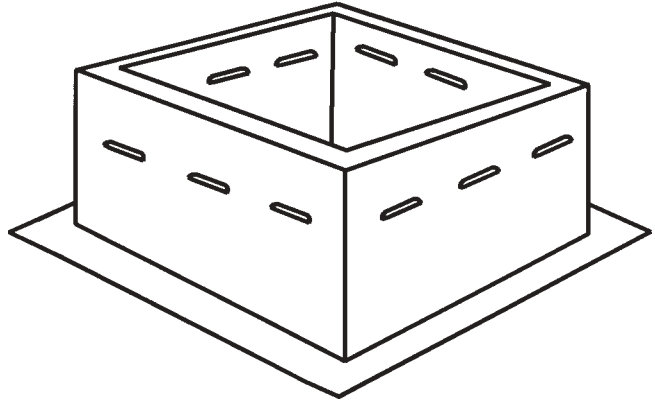


Type SV
Vented Roof Curb

Romlair surface mounted curbs are provided to fit power roof exhausters, intake and relief vents, skylights, smoke hatches, or job fabricated items.

Standard Construction:

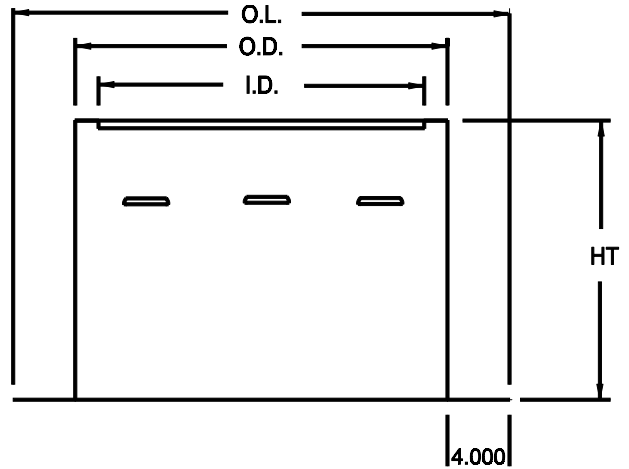
- 18 Gauge Galvanized Steel
- Self-Flashing Application
- All Welded Construction
- Mill Finish



ROMLA VENTILATOR CO.
9668 Heinrich Hertz Drive • Unit D
San Diego, California 92154
Ph (619) 946-1224 Fax (619) 946-1227

Available Option:

- BB -Burglar bars, 6" centers each way
- HG -Heavier gauge construction
- ALC -Aluminum construction
- SSC -Stainless steel construction



SPECIFICATIONS

MARK	QTY	CURB TYPE	O.D.	I.D.	O.L.	HT.	GA.	P	ACCESSORIES

<p>PROJECT: LOCATION: SUBMITTED BY: DATE:</p>	<p>CONTRACTOR: ENGINEER: APPROVED BY: DATE:</p>
--	--