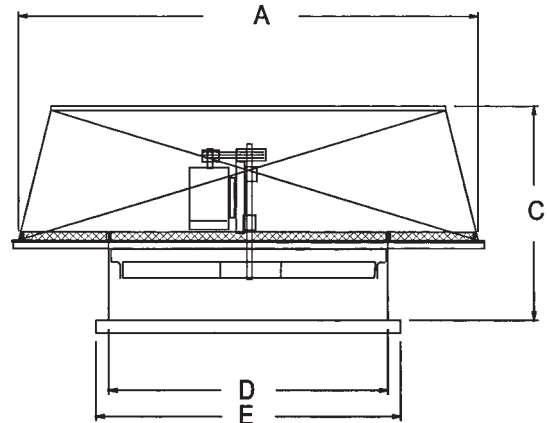
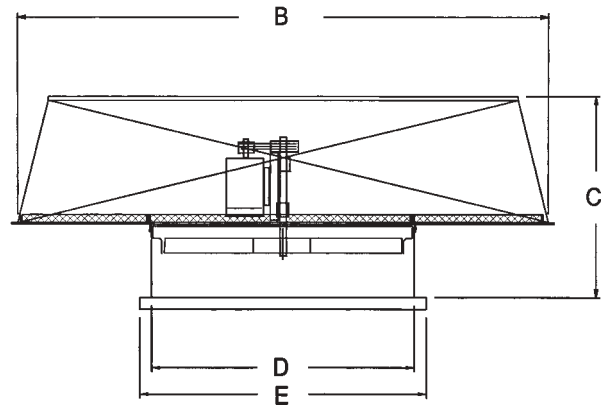




Model HFS
Hooded Filter Supply Fan

- Belt driven.
- Cast aluminum non-sparking airfoil propeller.
- Angle drive frame bolted to base assembly provides firm base and accurately aligns power assembly.
- 2" Washable aluminum filters.
- Variable pitch drives to 7-1/2 Hp.
- Industrial duty ball bearing motor
- Self-aligning pillow block bearings
- Long lasting exterior urethane finish.
- Hinged hood for easy access to motor ,drives, and filters.
- Tested and rated in accordance with AMCA Standard 211

ROMLA VENTILATOR CO.
9668 Heinrich Hertz Drive • Unit D
San Diego, California 92154
Ph (619) 946-1224 Fax (619) 946-1227



Abbreviation for Accessories

- DS** -Safety disconnect switch
- CF 8** -Type CF roof curb 8" high
- SF 8** -Type SF roof curb 8" high
- CF12** -Type CF roof curb 12" high
- SF12** -Type SF roof curb 12" high
- RBDS** -Automatic supply damper
- RBDS-M** -Motorized exhaust damper 1/115v
- VC-1** -Motorized supply damper 1/115v
- EC** -Epoxy coating

FAN SIZE	A	B	C	D	E	BASE GAUGE	HOOD GAUGE	DAMPER SQ SIZE	ROOF OPENING SQ.	APPROX WT
24	71	71	32	30.25	36	16	20	24	26.5	295
30	81	81	34	36.25	42	16	20	30	32.5	370
36	91	91	37	42.25	48	16	20	36	38.5	615
42	99	99	38	48.25	54	16	20	42	44.5	725
48	99	120	43	54.25	60	14	20	48	50.5	850
54	99	144	47	60.25	66	14	18	54	56.5	975
60	116	144	50	66.25	72	14	18	60	62.5	1200

SPECIFICATIONS

QTY	MODEL NO.	TAG	CFM	SP	RPM	HP	VOLTS	PH	HZ	TYPE	APPLIC	OPTION

<p>PROJECT: LOCATION: SUBMITTED BY: DATE:</p>	<p>CONTRACTOR: ENGINEER: APPROVED BY: DATE:</p>
--	--