

# DOMAIR

*A New Wave In Air Movement*



## **MODEL RS Stationary Ventilator**

Exhaust Applications

# Model RS

Romlair Stationary ventilators are economical roof ventilators designed for general use on industrial, commercial, public and government buildings where gravity ventilation is required.

This ventilator conforms to Corps of Army Engineers Bulletin CE 220.09 for gravity ventilators. They will withstand stresses developed by winds up to 85 miles per hour, are weatherproof and storm proof under all normal operating conditions. Manufactured from galvanized iron conforming to Specification QQ-1-716 or aluminum alloy sheets meeting #QQA359.

Model RS



## CERTIFIED TESTS

Independent laboratory tests certify to velocities through the ventilator neck to equal or exceed 35% of the wind velocity at varying wind directions. Performance calculations are based on formulas outlined in the ASHRAE Guide for natural ventilation.

## SPECIFICATIONS

Ventilators shall be of the stationary type as manufactured by Romla Ventilator Co., Gardena, California and shall be mounted on the manufacturer's square or round bases. Ventilators shall be designed to withstand stresses developed by winds to 85 miles per hour, shall be waterproof and stormproof under all normal operating conditions, and shall be free from backdraft except in the event of interior negative pressure. Capacities shall be based on ratings formulas outlined in the ASHRAE Guide for natural ventilation.

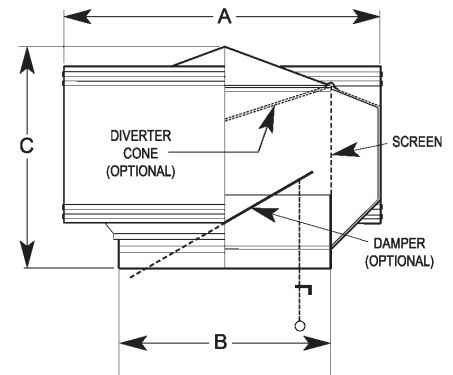
## OPTIONAL ACCESSORIES

Roof bases, disc dampers, and fusible links are available. If the ventilator is going to be used with a RDF duct fan a diverter cone can be installed. Birdscreens are standard.

# Model RS Dimensions and Gauges

Dimensions and Gauges											
Model	Gauges		A	B	C	Model	Gauges		A	B	C
	Galv.	Alum.					Galv.	Alum.			
RS-6	26	032	10	6	8-1/2	RS-24	24	040	38	24	22-1/2
RS-8	26	032	13	8	9-1/2	RS-30	22	040	48	30	24-1/2
RS-10	26	032	16	10	11	RS-36	22	040	56	36	29
RS-12	24	032	19	12	13	RS-42	20	050	65-1/2	42	35
RS-14	24	032	22	14	14	RS-48	20	050	75	46	35
RS-16	24	032	15-1/2	16	15	RS-54	20	050	81	54	41
RS-18	24	032	30	18	18-1/2	RS-60	18	050	90	60	42
RS-20	24	032	32	20	19-1/2	RS-72	18	050	108	72	50

Model RS

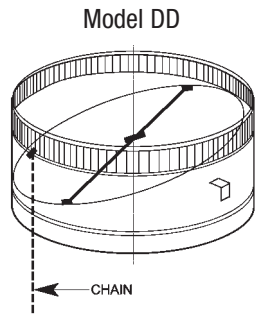


Stack Height	Wind Speed	Temp. Diff.	CFM Ratings															
			Ventilator Model RS CFM															
			6	8	10	12	14	16	18	20	24	30	36	42	48	54	60	72
10	5	10	60	109	169	242	330	431	545	671	967	1512	2178	2857	3881	4929	6457	9298
		20	62	110	171	246	337	440	558	685	986	1542	2120	3014	3956	5024	6581	9477
		30	67	120	18	270	369	482	609	750	1080	1699	2432	3302	4334	5504	7210	10382
	10	10	112	200	316	449	613	801	1012	1247	1796	2809	4044	5491	7207	9153	11990	17266
		20	116	208	324	466	636	832	1051	1295	1866	2917	4200	5702	7484	9506	12451	17929
		30	120	215	334	481	656	858	1065	1336	1925	3010	4334	5885	7724	9809	12850	18504
20	5	10	62	110	171	246	337	440	556	665	966	1542	2120	3014	3968	5024	6581	9476
		20	65	116	80	259	354	462	584	719	1036	1620	2333	3169	4158	5251	6918	9962
		30	69	123	191	276	377	493	623	767	1105	1728	2489	3370	4435	5532	7378	10624
	10	10	115	208	324	466	636	832	1051	1295	1855	2917	4200	5702	7484	9504	12450	17928
		20	121	216	336	484	660	862	1090	1343	1934	3025	4355	5914	7752	9845	12697	18572
		30	127	228	354	510	696	910	1150	1417	2041	3192	4596	6240	8190	10401	13625	19820
30	5	10	67	120	187	270	369	482	608	750	1090	1689	2432	3302	4334	5504	7210	10382
		20	69	123	191	276	377	493	623	7767	1105	1728	2489	3379	4435	5632	7378	10624
		30	84	151	234	338	461	602	761	937	1350	2111	3040	4128	5418	6880	9013	12978
	10	10	120	214	335	461	655	858	1085	1136	1924	3009	4334	5884	7723	9808	12848	18501
		20	127	228	354	510	696	910	1150	1417	2014	3192	4596	6240	8190	10401	13625	19620
		30	130	232	361	520	710	928	1174	1445	2082	3255	4667	6365	8354	10601	13899	20014

# ACCESSORIES

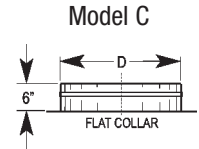
## UNIT DISC DAMPERS

Disc dampers are available as shown. Each standard unit is counter weighted and supplied with six feet of chain. An optional fusible link can be installed in the chain allowing the damper to open in the case of fire. Extra chain is also available.

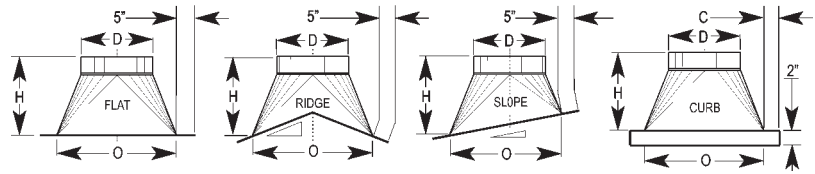


## BASES

Square to Round Bases are required for Turbo and Stationary ventilators and are available in slope, ridge, curb or flat types. Flat Collar Bases are available at slightly lower costs, however if adaptations must be made, other than flat, it is more economical to use the square to round type.



### Model B Bases



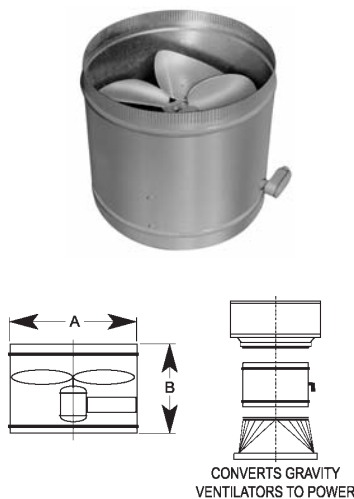
Base type and roof pitch must be specified when ordering (i.e. B-12 ridge 4" in 12" pitch)

### Dimensions and Gauges

Bases											
Model (D)	Q. Sq.	H	C	Galv. Gauge	Alum. Gauge	Model (D)	Q. Sq.	H	C	Galv. Gauge	Alum. Gauge
B6	10	6	2	26	.032	B24	30	11	2	24	.040
B8	12	6	2	26	.032	B30	36	13	2	22	.040
B10	14	7	2	26	.032	B36	42	15	2	22	.040
B12	16	7	2	26	.032	B42	48	15	2	20	.050
B14	18	8	2	26	.032	B48	54	15	2	20	.050
B16	20	8	2	26	.032	B54	60	18	2	18	.063
B18	22	9	2	24	.032	B60	66	19	2	18	.063
B20	24	9	2	24	.032	B72	78	21	2	18	.063

## MODEL RDF DUCT FAN

Romair Auxiliary duct fan is designed primarily to convert existing round gravity ventilators to power. Easily installed between ventilator and base without cutting roof structure. Units are wired to an external weatherproof conduit box ready for electrical.



Model	HP	RPM	RDF Specifications				
			C.F.M. Capacities			Inches	
			0" SP	1/8" SP	1/4" SP	A	B
RDF10A	1/40	1550	336	222	-	10	10
RDF12A	1/40	1550	460	304	-	12	12
RDF12B	1/20	1550	610	420	-	12	12
RDF14A	1/40	1550	660	510	430	14	12
RDF14B	1/20	1550	950	735	620	14	12
RDF16A	1/20	1550	1120	835	705	16	15
RDF16B	1/8	1140	1420	1045	895	16	15
RDF18A	1/8	1140	1620	1545	1450	18	18
RDF18B	1/4	1750	2550	2345	2195	18	18
RDF20A	1/6	1140	2280	2115	1990	20	18
RDF20B	1/4	1140	2920	2730	2570	20	18
RDF24A	1/6	1140	2510	2345	2265	24	18
RDF24B	1/4	1140	3260	3000	2870	24	18

## VENTILATION LINE

Romla Ventilator offers a very comprehensive warehouse ventilation line. From the intake louvers in the wall to the power roof ventilators on the roof, Romlair can provide all the products to efficiency move the air flow in your facility.



Model RPV

**MODEL RPV** – Extruded aluminum louvered penthouse features low silhouette architecturally appealing styling for exhaust relief or air intake ventilation.



Model RSV

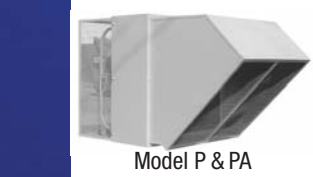
**MODEL RSV** – Is a spun aluminum roof mounted gravity ventilator to be used on intake or relief applications. Attractive low silhouette design harmonizes with modern building design.



Model VBO & VBO-HV

**MODEL VBO-HV** – Available with U.L. Listing for “Power Ventilators For Smoke Control Systems”. Heat and smoke exhauster is designed to meet the high temperature requirements of the Uniform Fire Code and IRI recommendations. Independently tested to operate without failure at 500°F for a minimum of 4 hours, and 1,000°F for a minimum of 15 minutes.

**MODEL VBO** – Heavy-duty vertical discharge power roof exhauster operates reliably in hostile environments. Motor, belts and bearings are outside of the airstream.



Model P & PA

**SIDEWALL FAN WITH HOUSING** – Model P, PA & PS Panel fan available in sizes 24” to 72”, with high air volumes up to 100,000 cfm. Accessories include Wall Housings, Wall collar, Dampers, Motor Side Guard, Weatherhood, and special coatings.



Model HFS

**HOODED SUPPLY AND EXHAUST FANS** – Model H Series power roof ventilators available in sizes 24” thru 72”, 2,500 cfm to 60,000 cfm. The model HFS features 2” washable filters.

**WALL LOUVERS-GRAVITY INTAKE VENTILATORS** – High performance wall louvers, and hooded gravity ventilators to provide air intake or relief.

## 1 YEAR WARRANTY

The Romla Ventilator Company warrants this equipment to be free from defects in material and workmanship under normal use and service for a period of one year from date of delivery. During the warranty period if any parts prove to be defective, they will be repaired or replaced free of charge at factory option: If upon receipt of written authorization they are delivered prepaid to the factory. This guarantee does not cover any damage caused by neglect of lubrication, accident or overload, improper installation, nor does it cover the cost of repairs made or attempted outside the factory, without authorization from Romla Co. Electric Motors are guaranteed only to the extent of the motor manufacturer’s warranty.

Romla Co. is not responsible for the cost of removal of the defective product or part, or the installation of the repaired or replaced product or part. Correction of any verified defects by repair or replacement shall constitute fulfillment of this warranty.

Distributed By

