

# MODEL VS

(Steel Propeller)

*Romlair Model VS Upblast Exhaust Fans are intended for the general ventilation of factories and warehouses. These fans can also be placed to provide spot ventilation in specific problem areas.*

## Upblast Belt Driven Exhaust Fans

### CONSTRUCTION FEATURES

- **Six Bladed Steel Propeller** – For high performance at lower sound levels.
- **Windband** – Constructed of heavy gauge galvanized steel. Easily removable to facilitate easy access to fan components for inspection and service.
- **Butterfly Dampers** – Steel dampers are standard for sizes 24 through 60. Provides weather and backdraft protection when fan is not in operation.
- **Drive Frame** – Built to industrial standards. The heavy-duty all welded drive frame provides a rigid platform for motors, shafts, bearings and drives.
- **Variable Pitch Drives To 7-1/2 Hp** – Adjustable for final system RPM. Belts sized for 165% of driven Hp.
- **Heavy Duty Ball Bearing Motor** – Provides years of trouble free operation.
- **Self-Aligning Pillow Block Bearings** – Selected for a minimum (L50) life in excess of 200,000 hours at maximum cataloged operating speeds.
- **Deep Spun Venturi** – For high efficiency.
- **UL Listing** – UL705 listing is available on TEFC models up to 10 Hp.

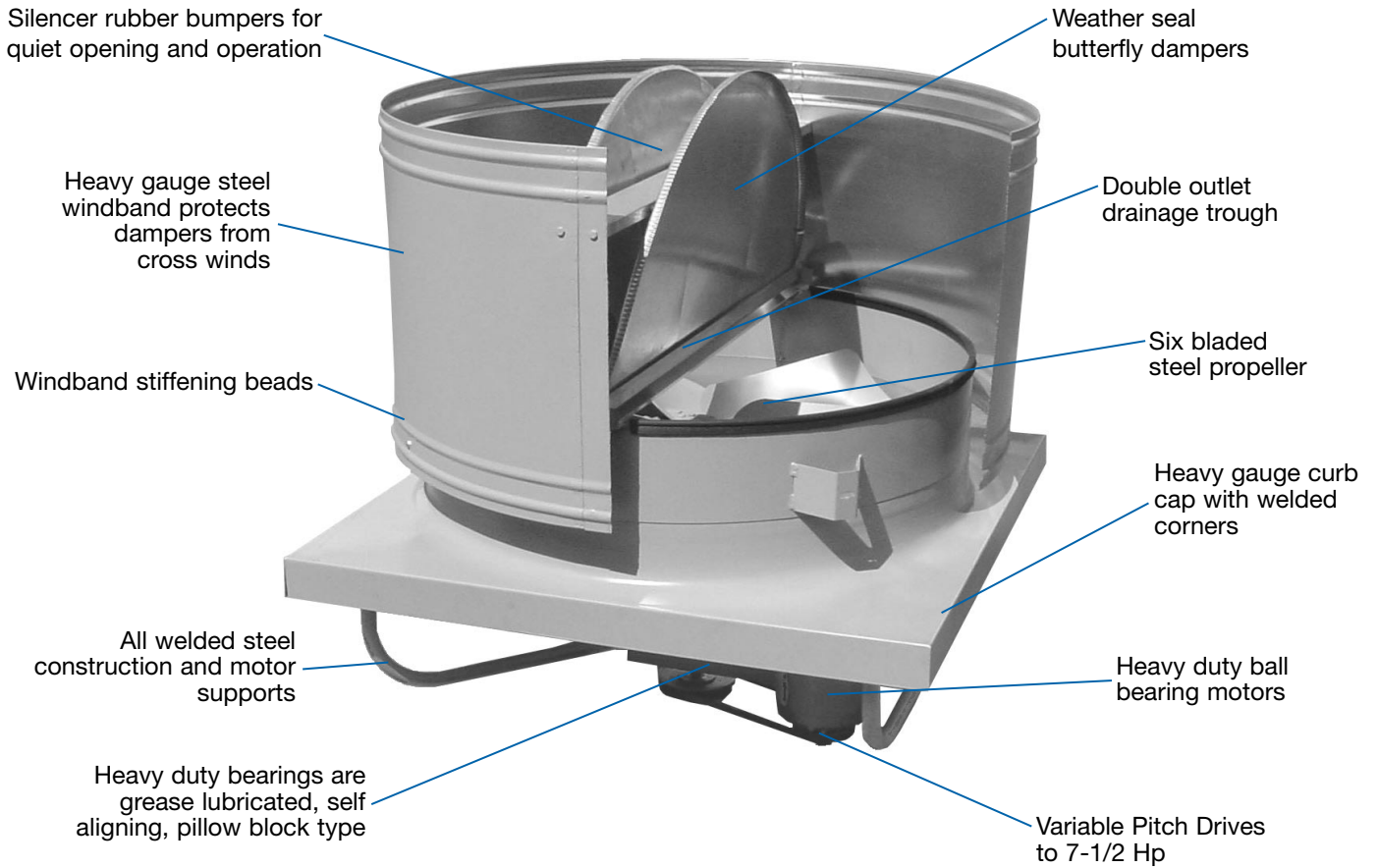


#### WEATHER PROTECTED

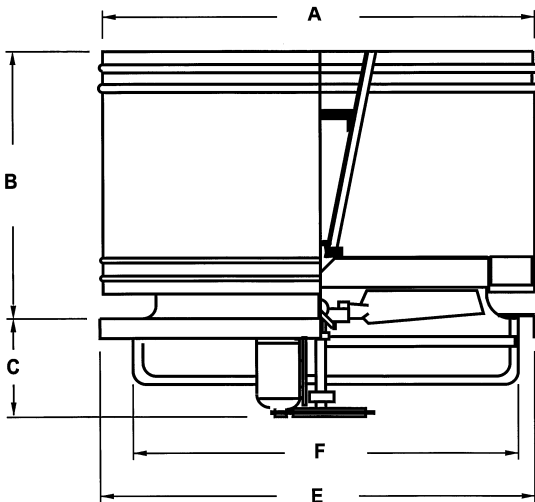
Romlair upblast discharge power roof ventilator dampers open automatically when fan is started. The high velocity exhaust airstream holds the dampers open preventing the entrance of rain or snow. When the motor power is cut, the dampers close to provide a complete weather seal. A rain runoff trough is located below the damper shafts to provide drainage to the outside resulting in a weather-tight construction.

***Romlair also offers the same version with a cast aluminum propeller, and a direct driven version.***

**MODEL VS CONSTRUCTION FEATURES**



**MODEL VS DIMENSIONAL DATA**



SIZE	A	B	C	E	F	STEEL GAUGE		WT
						CURB CAP	WIND BAND	
24	30	19	15	30	24	16	20	170
30	36	22	16	36	30	16	20	205
36	42	25	19	42	36	16	20	300
42	48	28	20	48	42	14	20	375
48	54	31	23	54	48	14	20	450
54	60	35	23	60	54	12	20	600
60	66	38	19	66	60	12	18	725

**MODEL VS EXHAUST APPLICATION PERFORMANCE DATA**

MODEL	HP	RPM	TIP SPEED	MAX BHP	*SONES	STATIC PRESSURE / CAPACITY					
						0.00	0.10	0.125	0.2	0.25	0.375
VS-242	1/3	790	4964	.37	15.6	5636	5100	4936			
VS-243	1/2	867	5448	.59	17.2	6185	5719	5570	5148	4887	3773
VS-244	3/4	1004	6308	.85	20.7	7162	6774	6669	6283	6042	5432
VS-245	1	1108	6962	1.10	21.7	7904	7558	7463	7138	6903	6386
VS-303	1/2	623	4893	.59	15.4	9094	8184	7906	6783	5937	
VS-304	3/4	704	5529	.86	18.4	10277	9521	9275	8418	7745	5301
VS-305	1	775	6087	1.14	21.6	11313	10668	10445	9776	9174	7541
VS-306	1-1/2	910	7147	1.66	27.1	13284	12750	12602	12056	11675	10456
VS-363	1/2	465	4383	.52	16.5	11408	9721	9264			
VS-364	3/4	541	5099	.86	19.2	13273	11857	11470	10065	8666	
VS-365	1	595	5608	1.11	21.4	14598	13335	12984	11928	10900	
VS-366	1-1/2	662	6239	1.58	24.5	16241	15125	14882	13873	13240	10589
VS-367	2	730	6880	2.05	28.4	17921	16916	16641	15794	15220	13396
VS-425	1	435	4783	1.17	19.1	17146	15452	14850			
VS-426	1-1/2	485	5333	1.69	21.6	19116	17641	17217	15501	13883	
VS-427	2	532	5850	2.18	24.3	20969	19664	19279	17901	16795	
VS-428	3	615	6762	3.42	31.0	24240	23111	22829	21845	20992	18332
VS-486	1-1/2	395	4964	1.67	17.1	24163	21991	21364	18424	15978	
VS-487	2	433	5441	2.19	19.1	26487	24569	23996	21685	19804	11162
VS-488	3	496	6223	3.30	23.0	30341	28766	28268	26768	25226	20868
VS-547	2	362	5118	2.27	17.7	32009	29128	27913	24186	19955	
VS-548	3	413	5839	3.40	20.5	36519	34013	33387	30255	28124	19088
VS-549	5	494	6984	5.73	27.2	43681	41586	41062	39259	37477	32847
VS-5410	7-1/2	567	8016	8.46	38.0	50136	48311	47854	46486	45478	41598
VS-608	3	341	5419	3.34	20.8	41632	38371	37250	33568	30426	
VS-609	5	406	6425	5.60	24.9	49335	46705	46042	43240	41348	34817
VS-6010	7-1/2	465	7446	8.50	32.2	57199	54192	54340	52352	50720	46235

**REMOTE DRIVE UNITS AVAILABLE - (SEE CATALOG HV00 & VBO-01)**

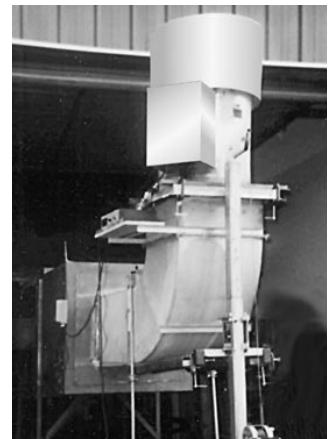
**Romlair Model VBO** – Motor out of airstream upblast exhaust fans are designed to operate reliably in hostile environments where motor and drive need protection due to high temperatures of contaminated air.

**Romlair Model VBO-HV** – High temperature construction - U.L. Listed “Power Ventilator For Smoke Control Systems” Includes Snow Load Test for Damper in UL-793. This unit meets specifications for the Uniform Fire Code Standard 81-3 (Mechanical Smoke-Removal Systems) where the exhaust fans will provide continued operation for not less than 15 minutes while exposed to a temperature of 1,000° F.



**MODEL VBO  
MODEL VBO-HV**

**Test setup with Vertiblow Heat & Smoke Exhauster mounted at top. Independent tests proved operation at elevated temperatures without failure.**



## MODEL VS ACCESSORIES

**INLET GUARD** - Protective guards are available on the fan inlet. **Note: When an inlet guard is not ordered with the fan, it should be provided by the installer.**

**OUTLET GUARD** - Protective outlet screens to shield the fan discharge and dampers from debris.

**MAGNETIC DAMPER LATCHES** - Minimizes damper flutter in high wind areas when fan is not in operation.

**DISCONNECT SWITCHES** - NEMA 3R Rainproof and NEMA 4 Watertight disconnect switches are available for positive electrical shut-off and safety when servicing fans.

**ROOF CURBS** - Type CF and SF prefabricated roof curbs are available to ensure compatibility between the fan, curb, and roof opening. Extended height curbs are available to raise motor and drive components to roof level, avoiding any obstructions. Specify self-flashing (Type SFE) and roofed over (Type CFE).

**SPECIAL COATINGS** - Special liquid coatings are available, including special color to match enamels, epoxies, and urethanes. Urethane powder coatings are available. Consult factory for information regarding which coating to use.

**FUSIBLE LINK DAMPER LIFTER** - Fusible link damper lifters are available to automatically open the dampers when the air temperature below the dampers exceeds 165° F.

## SPECIFICATIONS

Axial type roof mounted hooded exhaust fans shall be belt driven and incorporate a six bladed, high performance steel propeller.

Propellers shall be statically and dynamically balanced. The drive frame section shall consist of all welded construction. Windbands shall be constructed of heavy gauge galvanized steel and beaded for additional strength. The Windband shall be easily removable to gain access to the fan through the butterfly dampers. The weather sealing dampers, with water runoff troughs, shall provide complete weather sealing when closed. Housing construction shall be of galvanized steel and be protected by a high performance polyurethane coating. Fan bearings shall be heavy duty, grease lubricated, self-aligning pillow block type. Bearings shall be selected for a minimum (L50) life in excess of 200,000 hours at maximum cataloged operating speeds. All drives shall be designed for 165% of rated horsepower. Motor drives to 7-1/2 hp shall be variable pitch. Fans shall be Model VS as manufactured by Romla Ventilator Company of San Diego, California.

## WARRANTIES

The Romla Ventilator Company warrants this equipment to be free from defects in material and workmanship under normal use and

service for a period of one year from date of delivery. During the warranty period if any parts prove to be defective, they will be repaired or replaced free of charge at factory option: If upon receipt of written authorization they are delivered prepaid to the factory. This guarantee does not cover any damage caused by neglect of lubrication, accident or overload, improper installation, nor does it cover the cost of repairs made or attempted outside the factory, without authorization from Romla Ventilator Company. Electric motors are guaranteed only to the extent of the motor manufacturer's warranty.

The Romla Ventilator Company is not responsible for the cost of removal of the defective product or part, or the installation of the repaired or replaced products or part. Correction of any verified defects by repair or replacement shall constitute fulfillment of this warranty.



**WARNING! DO NOT USE IN HAZARDOUS ENVIRONMENTS** where fans electrical system could provide ignition to combustible or flammable materials, unless unit is specifically built for hazardous environments. Guards must be installed when fan is within reach of personnel or within seven (7) feet of working level or when deemed advisable for safety.



**ROMLA VENTILATOR COMPANY**  
9668 Heinrich Hertz Drive, Unit D  
San Diego, California 92154  
619/946-1224 • Fax 619/946-1227 • [www.romlair.com](http://www.romlair.com)

## DISTRIBUTED BY

