

MODEL VA

(Cast Aluminum Propeller)

Romlair Model VA Upblast Exhaust Fans are intended for the general ventilation of factories and warehouses. These fans can also be placed to provide spot ventilation in specific problem areas.

CONSTRUCTION FEATURES

- **Cast Aluminum Airfoil Propeller** – Non-sparking construction designed to produce a high level of efficiency.
- **Windband** – Constructed of heavy gauge galvanized steel. Easily removable to facilitate easy access to fan components for inspection and service.
- **Butterfly Dampers** – Steel dampers are standard for sizes 24 through 60. Provides weather and backdraft protection when fan is not in operation.
- **Drive Frame** – Built to industrial standards. The heavy-duty, all welded drive frame provides a rigid platform for motors, shafts, bearings and drives.
- **Variable Pitch Drives To 7-1/2 Hp** – Adjustable for final system RPM. Belts sized for 165% of driven Hp.
- **Heavy Duty Ball Bearing Motor** – Provides years of trouble-free operation.
- **Self-Aligning Pillow Block Bearings** – Selected for a minimum (L50) life in excess of 200,000 hours at maximum cataloged operating speeds.
- **Deep Spun Venturi** – For high efficiency.
- **UL Listing** – UL705 listing is available on TEFC models up to 10 Hp.

Upblast Belt Driven Exhaust Fans

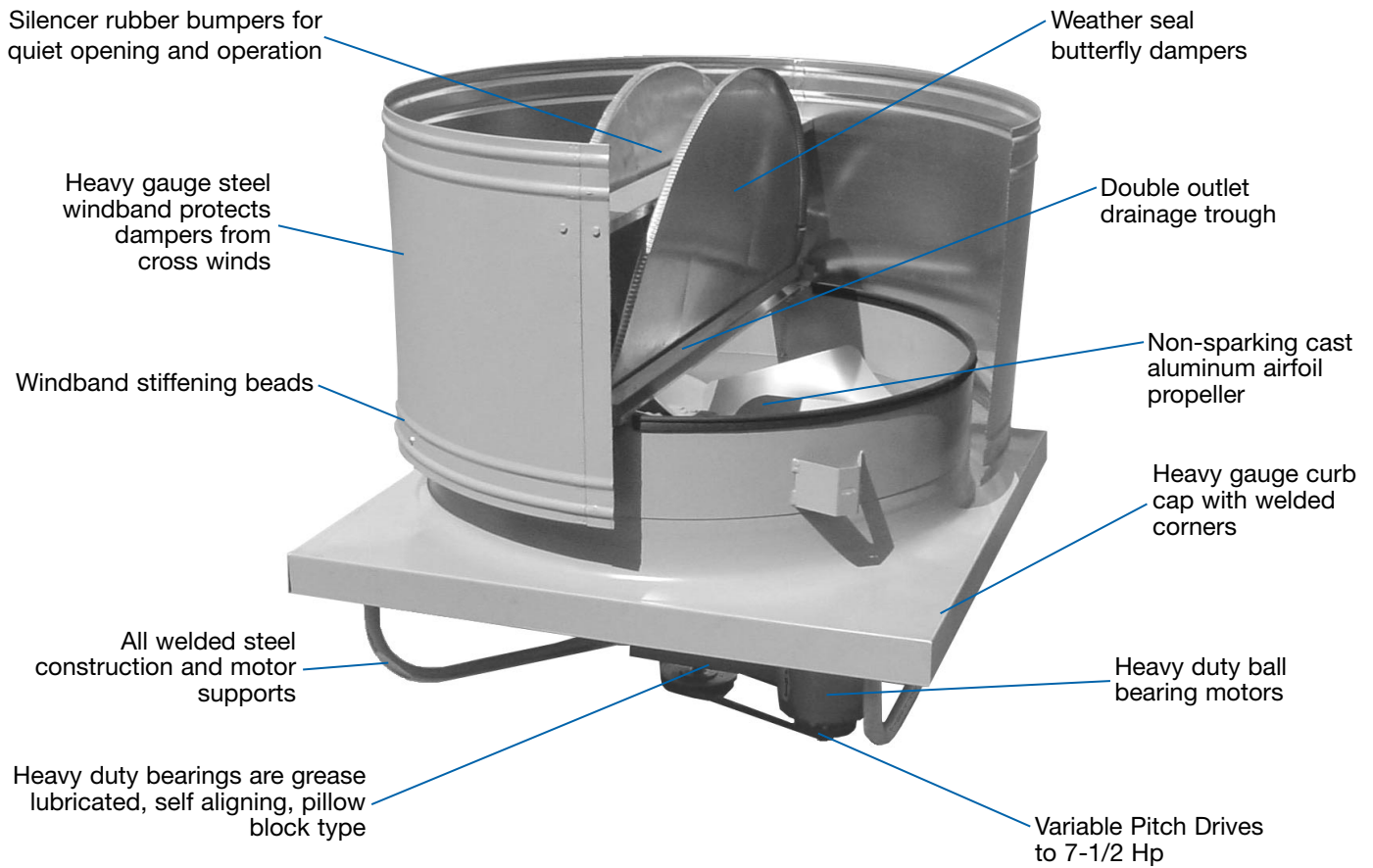


WEATHER PROTECTED

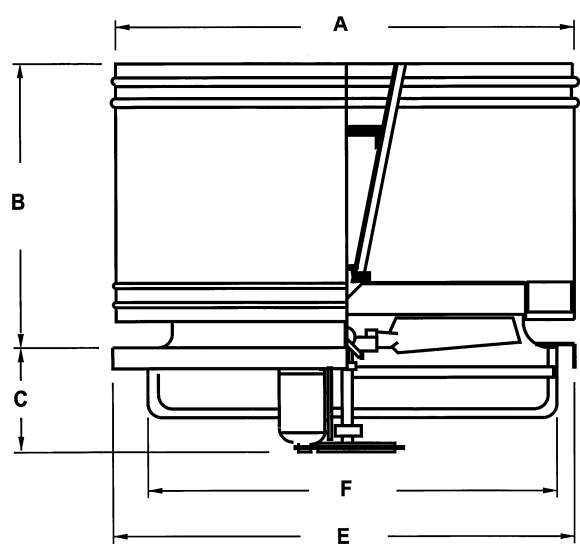
Romlair upblast discharge power roof ventilator dampers open automatically when fan is started. The high velocity exhaust airstream holds the dampers open preventing the entrance of rain or snow. When the motor power is cut, the dampers close to provide a complete weather seal. A rain runoff trough is located below the damper shafts to provide drainage to the outside resulting in a weather-tight construction.

Romlair also offers the same version with a cast aluminum propeller, and a direct driven version.

MODEL VA CONSTRUCTION FEATURES



MODEL VA DIMENSIONAL DATA



SIZE	A	B	C	E	F	STEEL GAUGE		WT
						CURB CAP	WIND BAND	
24	30	19	15	30	24	16	20	170
30	36	22	16	36	30	16	20	205
36	42	25	19	42	36	16	20	300
42	48	28	20	48	42	14	20	375
48	54	31	23	54	48	14	20	450
54	60	35	23	60	54	12	20	600
60	66	38	19	66	60	12	18	725

MODEL VA EXHAUST APPLICATION

PERFORMANCE DATA

MODEL	HP	RPM	TIP SPEED	MAX BHP	*SONES	STATIC PRESSURE / CAPACITY					
						0.00	0.125	0.25	0.375	0.50	0.75
VA-243	1/2	1047	6579	.60	23.0	6279	5770	5166	4435	3407	
VA-244	3/4	1195	7508	.90	23.8	7166	6730	6235	5662	5000	
VA-245	1	1311	8237	1.18	26.1	7862	7472	7030	6542	5991	4542
VA-246	1-1/2	1483	9318	1.67	31.1	8894	8550	8175	7771	7323	6293
VA-303	1/2	773	6071	.60	17.6	8456	7505	6303	4522		
VA-304	3/4	885	6951	.90	20.9	9681	8872	7915	6718	5049	
VA-305	1	974	7650	1.20	24.0	10655	9932	9099	8132	6931	
VA-306	1-1/2	1098	8624	1.72	28.2	12011	11381	10674	9884		
VA-364	3/4	749	7059	.89	20.0	12670	11350	9835	7722		
VA-365	1	826	7785	1.19	22.7	13973	12790	11484	9919	7516	
VA-366	1-1/2	930	8765	1.69	26.9	15732	14692	13569	12322	10855	
VA-367	2	1020	9613	2.24	31.5	17254	16314	15308	14236	13041	9511
VA-368	3	1170	11027	3.38	39.7	19792	18980	18122	17222	16279	14075
VA-369	5	1392	13119	5.66	52.6	23547	22876	22165	21436	20681	19081
VA-425	1	680	7477	1.20	23.4	17228	15430	13371	10631		
VA-426	1-1/2	774	8511	1.77	27.4	19610	18051	16344	14358	11718	
VA-427	2	844	9280	2.30	30.9	21383	19963	18435	16738	14772	
VA-428	3	966	10622	3.44	38.1	24474	23246	21944	20562	19050	15250
VA-429	5	1144	12579	5.73	50.0	28984	27946	26881	25769	24601	22054
VA-4210	7-1/2	1312	14426	8.57	65.3	33240	32336	31430	30476	29499	27433
VA-486	1-1/2	665	8357	1.71	25.5	23212	20943	18385	15106		
VA-487	2	732	9199	2.30	29.0	25551	23508	21267	18689	15177	
VA-488	3	845	10619	3.54	36.3	29495	27748	25878	23861	21568	
VA-489	5	992	12466	5.73	49.7	34626	33155	31600	29979	28248	24232
VA-4810	7-1/2	1130	14200	8.45	61.7	39443	38152	36818	35420	33994	30859
VA-548	3	605	8553	3.43	26.6	34222	31791	29151	26219	22656	
VA-549	5	717	10136	5.74	35.5	40557	38537	36377	34104	31648	25280
VA-5410	7-1/2	817	11550	8.51	43.6	46214	44461	42600	40669	38646	34124
VA-5411	10	897	12681	11.24	51.8	50739	49143	47474	45738	43957	40113
VA-608	3	532	8357	3.44	32.0	39341	36091	32512	28357	22484	
VA-609	5	631	9912	5.75	42.2	46662	43959	41085	37969	34518	21933
VA-6010	7-1/2	719	11294	8.50	53.4	53169	50819	48341	45746	42969	36436
VA-6011	10	790	12409	11.27	66.9	58419	56280	54062	51753	49324	43977

REMOTE DRIVE UNITS AVAILABLE - (SEE CATALOG HV00 & VBO-01)

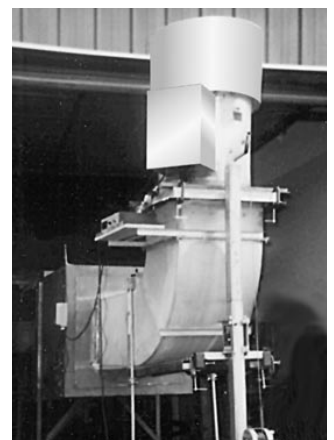
Romlair Model VBO – Motor out of airstream upblast exhaust fans are designed to operate reliably in hostile environments where motor and drive need protection due to high temperatures of contaminated air.

Romlair Model VBO-HV – High temperature construction - U.L. Listed “Power Ventilator For Smoke Control Systems” Includes Snow Load Test for Damper in UL-793. This unit meets specifications for the Uniform Fire Code Standard 81-3 (Mechanical Smoke-Removal Systems) where the exhaust fans will provide continued operation for not less than 15 minutes while exposed to a temperature of 1,000° F.



**MODEL VBO
MODEL VBO-HV**

Test setup with Vertiblow Heat & Smoke Exhauster mounted at top. Independent tests proved operation at elevated temperatures without failure.



MODEL VA ACCESSORIES

INLET GUARD - Protective guards are available on the fan inlet. **Note: When an inlet guard is not ordered with the fan, it should be provided by the installer.**

OUTLET GUARD - Protective outlet screens to shield the fan discharge and dampers from debris.

MAGNETIC DAMPER LATCHES - Minimizes damper flutter in high wind areas when fan is not in operation.

DISCONNECT SWITCHES - NEMA 3R Rainproof and NEMA 4 Watertight disconnect switches are available for positive electrical shut-off and safety when servicing fans.

ROOF CURBS - Type CF and SF prefabricated roof curbs are available to ensure compatibility between the fan, curb, and roof opening. Extended height curbs are available to raise motor and drive components to roof level, avoiding any obstructions. Specify self-flashing (Type SFE) and roofed over (Type CFE).

SPECIAL COATINGS - Special liquid coatings are available, including special color to match enamels, epoxies, and urethanes. Urethane powder coatings are available. Consult factory for information regarding which coating to use.

FUSIBLE LINK DAMPER LIFTER - Fusible link damper lifters are available to automatically open the dampers when the air temperature below the dampers exceeds 165° F.

SPECIFICATIONS

Axial type roof mounted hooded exhaust fans shall be belt driven and incorporate a six bladed, high performance steel propeller.

Propellers shall be statically and dynamically balanced. The drive frame section shall consist of all welded construction. Windbands shall be constructed of heavy gauge galvanized steel and beaded for additional strength. The Windband shall be easily removable to gain access to the fan through the butterfly dampers. The weather sealing dampers, with water runoff troughs, shall provide complete weather sealing when closed. Housing construction shall be of galvanized steel and be protected by a high performance polyurethane coating. Fan bearings shall be heavy duty, grease lubricated, self-aligning pillow block type. Bearings shall be selected for a minimum (L50) life in excess of 200,000 hours at maximum cataloged operating speeds. All drives shall be designed for 165% of rated horsepower. Motor drives to 7-1/2 hp shall be variable pitch. Fans shall be Model VA as manufactured by Romla Ventilator Company of San Diego, California.

WARRANTIES

The Romla Ventilator Company warrants this equipment to be free from defects in material and workmanship under normal use and

service for a period of one year from date of delivery. During the warranty period if any parts prove to be defective, they will be repaired or replaced free of charge at factory option: If upon receipt of written authorization they are delivered prepaid to the factory. This guarantee does not cover any damage caused by neglect of lubrication, accident or overload, improper installation, nor does it cover the cost of repairs made or attempted outside the factory, without authorization from Romla Ventilator Company. Electric motors are guaranteed only to the extent of the motor manufacturer's warranty.

The Romla Ventilator Company is not responsible for the cost of removal of the defective product or part, or the installation of the repaired or replaced products or part. Correction of any verified defects by repair or replacement shall constitute fulfillment of this warranty.



WARNING! DO NOT USE IN HAZARDOUS ENVIRONMENTS where fans electrical system could provide ignition to combustible or flammable materials, unless unit is specifically built for hazardous environments. Guards must be installed when fan is within reach of personnel or within seven (7) feet of working level or when deemed advisable for safety.



ROMLA VENTILATOR COMPANY
9668 Heinrich Hertz Drive, Unit D
San Diego, California 92154
619/946-1224 • Fax 619/946-1227 • www.romlair.com

DISTRIBUTED BY

