

# DOMAIR

*A New Wave In Air Movement*



## **MODEL ST Hooded Ventilator**

Intake and Relief Applications

# HOODED GRAVITY Intake-Relief



Model ST

## APPLICATIONS

Romliar Model St Hoods are designed for intake, or relief applications with either natural gravity or positive pressure systems. The ventilators feature low silhouette architecturally appealing styling to mount close to the roofline. The result is minimum impact on the building silhouette. Available in galvanized steel (Model STG) or aluminum construction (Model STA).

These hoods are designed to be strong enough to handle the snow loads found in the severest of climates.

## Range of Sizes

Model ST intake and relief units are available in throat sizes ranging from a minimum of 12" wide by 12" long to a maximum of 96" wide by 180" long. Other sizes are also available within the limits shown.

## SHIPPING

Most Model ST ventilators are shipped fully assembled until they are too large to ship. On large size units, they are shipped in two halves and easily assembled together in the field to form one unit. See installation instructions for details.

## STANDARD MATERIAL GAUGES TABLE

Material Gauges				
Model	Galvanized		Aluminum	
	Base	Hood	Base	Hood
ST12-16	24	24	.040	.040
ST18-20	22	24	.050	.040
ST24-30	22	24	.063	.050
ST36-48	20-18	22-18	.063	.050
ST54-60	16	20	.063	.050
ST66-96	16	20	.080	.050

## MODEL ST STANDARD FEATURES

- Uniform structural design complement building appearance
- Galvanized steel or aluminum construction
- Birdscreen constructed of 1/2" mesh galvanized steel mesh for minimum air resistance
- Most hoods shipped assembled
- Large range of sizes available

## Intake Applications

Fresh air intake ventilators feature a 2 to 1 ratio of hood perimeter opening to throat area. Design velocity at perimeter of 600 fpm to minimize moisture entrainment. Maximum design velocity of 1200 fpm.

## Relief Applications

Exhaust or gravity relief applications feature a 1 to 1 ratio of hood perimeter opening to throat area. Maximum design velocity of 1200 recommended.

## HOW TO SELECT MODEL ST UNITS

1. From Table A, determine the throat velocity in feet per minute for the allowable static pressure loss.
2. Calculate sq. ft. throat area. Divide CFM by throat velocity from Step 1.

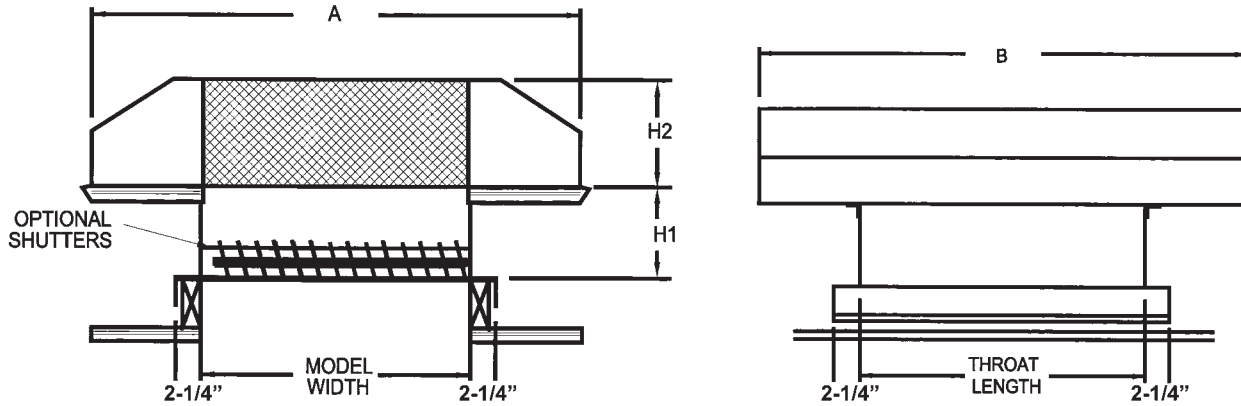
$$\text{Throat Area} = \frac{\text{CFM}}{\text{Throat Velocity}}$$

3. Divide the total sq. ft throat area required by the number of vents required. Table 1 list the sq. ft. areas of all sizes and will be helpful in selecting the desired size.

TABLE A

Pressure Drop Through Ventilator					
Air Velocity FPM	Static Pressure Drop (Inches)		Air Velocity FPM	Static Pressure Drop (Inches)	
	Exhaust	Intake		Exhaust	Intake
300	.014	.010	1000	.156	.106
400	.025	.017	1100	.189	.129
500	.039	.027	1200	.225	.153
600	.056	.038	1300	.264	.180
700	.077	.052	1400	.306	.208
800	.100	.068	1500	.352	.239
900	.127	.086	—	—	—

# MODEL ST - Intake Performance Data

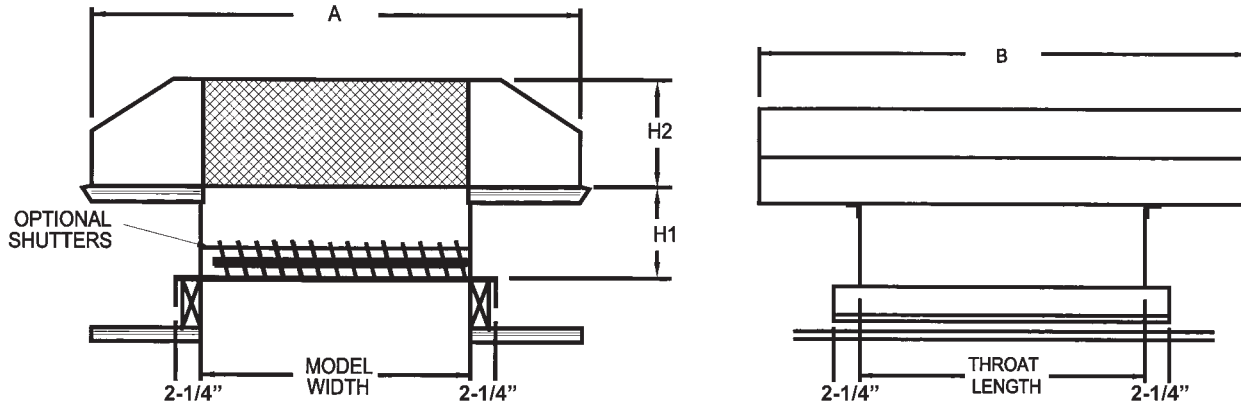


Width	Length	A	B	H1	H2	Sq. Foot	Static Pressure Drop (in. wg)								Galv. Weight	Alum. Weight
							0.027	0.038	0.052	0.068	0.086	0.106	0.130	0.153		
							Hood Intake Velocity / Throat Velocity (FPM)									
							250/500	300/600	350/700	400/800	450/900	500/1000	550/1100	600/1200		
12	12	24	24	5	5	1.00	500	600	700	800	900	1000	1100	1200	27	19
12	14	24	28	5	5	1.17	585	702	819	936	1053	1170	1287	1404	28	20
12	16	24	30	5	5	1.33	665	798	931	1064	1197	1330	1463	1596	31	22
12	18	24	36	5	5	1.50	750	900	1050	1200	1350	1500	1650	1800	33	23
12	20	24	38	5	5	1.67	835	1002	1169	1336	1503	1670	1837	2004	35	25
12	24	24	40	5	5	2.00	1000	1200	1400	1600	1800	2000	2200	2400	48	34
12	30	36	42	6	6	2.50	1250	1500	1750	2000	2250	2500	2750	3000	58	41
12	36	26	50	6	6	3.00	1500	1800	2100	2400	2700	3000	3300	3600	71	50
12	42	26	60	6	6	3.50	1750	2100	2450	2800	3150	3500	3850	4200	77	54
12	48	26	66	6	6	4.00	2000	2400	2800	3200	3600	4000	4400	4800	80	56
14	14	26	26	6	6	1.46	730	876	1022	1168	1314	1460	1606	1752	25	18
14	16	26	30	6	6	1.56	780	936	1092	1248	1404	1560	1716	1872	27	19
14	18	26	34	6	6	1.75	875	1050	1225	1400	1575	1750	1925	2100	34	24
14	20	26	36	6	6	1.94	970	1164	1358	1552	1746	1940	2134	2328	36	25
14	24	28	44	6	7	2.50	1250	1500	1750	2000	2250	2500	2750	3000	62	43
14	30	28	50	6	7	2.92	1460	1752	2044	2336	2628	2920	3212	3504	64	45
14	36	28	56	6	7	3.50	1750	2100	2450	2800	3150	3500	3850	4200	74	52
14	42	28	64	6	7	4.08	2040	2448	2856	3264	3672	4080	4488	4896	76	53
14	48	31	70	6	7.5	4.67	2335	2802	3269	3736	4203	4670	5137	5604	78	55
14	54	31	76	6	7.5	5.25	2625	3150	3675	4200	4725	5250	5775	6300	62	43
16	16	30	34	6	6	1.78	890	1068	1246	1424	1602	1780	1958	2136	40	28
16	18	30	39	6	6	2.00	1000	1200	1400	1600	1800	2000	2200	2400	46	32
16	20	30	42	6	6	2.22	1110	1332	1554	1776	1998	2220	2442	2664	62	43
16	24	32	48	6	6	2.63	1315	1578	1841	2104	2367	2630	2893	3156	82	57
16	30	32	54	6	6	3.33	1665	1998	2331	2664	2997	3330	3663	3996	88	62
16	36	36	56	7	9	4.00	2000	2400	2800	3200	3600	4000	4400	4800	90	63
16	42	36	64	7	9	4.67	2335	2802	3269	3736	4203	4670	5137	5604	106	74
16	48	40	65	7	9	5.33	2665	3198	3731	4264	4797	5330	5863	6396	113	79
16	54	40	72	7	9	6.00	3000	3600	4200	4800	5400	6000	6600	7200	122	85
16	60	40	82	7	9	6.67	3335	4002	4669	5336	6003	6670	7337	8004	134	94
18	18	36	36	7	9	2.25	1125	1350	1575	1800	2025	2250	2475	2700	70	49
18	20	36	42	7	9	2.50	1250	1500	1750	2000	2250	2500	2750	3000	79	55
18	24	36	48	7	9	3.00	1500	1800	2100	2400	2700	3000	3300	3600	89	62
18	30	36	54	7	9	3.75	1875	2250	2625	3000	3375	3750	4125	4500	96	67
18	36	43	54	8	9.5	4.50	2250	2700	3150	3600	4050	4500	4950	5400	110	77
18	42	43	62	8	9.5	5.25	2625	3150	3675	4200	4725	5250	5775	6300	122	85
18	48	46	66	9	11	6.00	3000	3600	4200	4800	5400	6000	6600	7200	132	92
18	54	46	73	9	11	6.75	3375	4050	4725	5400	6075	6750	7425	8100	141	99
18	60	46	82	9	11	7.50	3750	4500	5250	6000	6750	7500	8250	9000	176	123
18	72	46	96	9	11	9.00	4500	5400	6300	7200	8100	9000	9900	10800	208	146
20	20	36	44	7	9	2.78	1390	1668	1946	2224	2502	2780	3058	3336	79	55
20	24	36	53	7	9	3.33	1665	1998	2331	2664	2997	3330	3663	3996	89	62
20	30	53	50	8	9.5	4.17	2085	2502	2919	3336	3753	4170	4587	5004	105	74
20	36	43	58	8	9.5	5.00	2500	3000	3500	4000	4500	5000	5500	6000	115	81
20	42	43	68	8	9.5	5.83	2915	3498	4081	4664	5247	5830	6413	6996	132	92
20	48	50	70	8	10	6.67	3335	4002	4669	5336	6003	6670	7337	8004	145	102
20	54	50	77	8	10	7.50	3750	4500	5250	6000	6750	7500	8250	9000	160	112
20	60	50	85	8	10	8.33	4165	4998	5831	6664	7497	8330	9163	9996	171	120
20	72	50	102	8	10	10.00	5000	6000	7000	8000	9000	10000	11000	12000	240	168
20	84	50	118	8	10	11.67	5835	7002	8169	9336	10503	11670	12837	14004	264	185

# MODEL ST – Intake Performance Data (continued)

Width	Length	A	B	H1	H2	Sq. Foot	Static Pressure Drop (in. wg)								Galv. Weight	Alum. Weight
							0.027	0.038	0.052	0.068	0.086	0.106	0.130	0.153		
							Hood Intake Velocity / Throat Velocity (FPM)									
							250/500	300/600	350/700	400/800	450/900	500/1000	550/1100	600/1200		
24	24	50	50	7	10	4.00	2000	2400	2800	3200	3600	4000	4400	4800	118	83
24	30	50	60	7	10	5.00	2500	3000	3500	4000	4500	5000	5500	6000	128	90
24	36	50	64	7	10	6.00	3000	3600	4200	4800	5400	6000	6600	7200	138	97
24	42	53	68	8	11.5	7.00	3500	4200	4900	5600	6300	7000	7700	8400	148	104
24	48	53	78	8	11.5	8.00	4000	4800	5600	6400	7200	8000	8800	9600	168	118
24	54	53	85	8	11.5	9.00	4500	5400	6300	7200	8100	9000	9900	10800	195	137
24	60	55	88	8	11.5	10.00	5000	6000	7000	8000	9000	10000	11000	12000	207	145
24	72	55	105	8	11.5	12.00	6000	7200	8400	9600	10800	12000	13200	14400	240	168
24	84	60	114	9	12	14.00	7000	8400	9800	11200	12600	14000	15400	16800	264	185
24	96	60	130	9	12	16.00	8000	9600	11200	12800	14400	16000	17600	19200	337	236
30	30	55	58	9	12	6.25	3125	3750	4375	5000	5625	6250	6875	7500	150	105
30	36	55	70	9	12	7.50	3750	4500	5250	6000	6750	7500	8250	9000	157	110
30	42	55	82	9	12	8.75	4375	5250	6125	7000	7875	8750	9625	10500	201	141
30	48	60	84	9	12	10.00	5000	6000	7000	8000	9000	10000	11000	12000	236	165
30	54	60	94	9	12	11.25	5625	6750	7875	9000	10125	11250	12375	13500	257	180
30	60	60	103	9	12	12.50	6250	7500	8750	10000	11250	12500	13750	15000	303	212
30	72	65	114	11	14.5	15.00	7500	9000	10500	12000	13500	15000	16500	18000	330	231
30	84	71	122	11	14.5	17.50	8750	10500	12250	14000	15750	17500	19250	21000	397	278
30	96	71	140	11	14.5	20.00	10000	12000	14000	16000	18000	20000	22000	24000	480	336
36	36	68	68	10	13	9.00	4500	5400	6300	7200	8100	9000	9900	10800	239	167
36	42	68	80	10	13	10.50	5250	6300	7350	8400	9450	10500	11550	12600	253	177
36	48	71	84	11	14.5	12.00	6000	7200	8400	9600	10800	12000	13200	14400	290	203
36	54	71	94	11	14.5	13.50	6750	8100	9450	10800	12150	13500	14850	16200	313	219
36	60	71	105	11	14.5	15.00	7500	9000	10500	12000	13500	15000	16500	18000	351	246
36	72	71	121	11	14.5	18.00	9000	10800	12600	14400	16200	18000	19800	21600	397	278
36	84	77	131	11	14.5	21.00	10500	12600	14700	16800	18900	21000	23100	25200	440	308
36	96	77	144	11	14.5	24.00	12000	14400	16800	19200	21600	24000	26400	28800	504	353
42	42	71	83	11	14.5	12.25	6125	7350	8575	9800	11025	12250	13475	14700	283	198
42	48	71	95	11	14.5	14.00	7000	8400	9800	11200	12600	14000	15400	16800	313	219
42	54	77	93	11	14.5	15.75	7875	9450	11025	12600	14175	15750	17325	18900	330	231
42	60	77	103	11	14.5	17.50	8750	10500	12250	14000	15750	17500	19250	21000	364	255
42	72	83	115	12	17.5	21.00	10500	12600	14700	16800	18900	21000	23100	25200	405	284
42	84	83	134	12	17.5	24.50	12250	14700	17150	19600	22050	24500	26950	29400	512	358
42	96	91	140	13	22	28.00	14000	16800	19600	22400	25200	28000	30800	33600	530	371
42	108	91	144	13	22	31.50	15750	18900	22050	25200	28350	31500	34650	37800	550	385
48	48	83	96	11	14.5	16.00	8000	9600	11200	12800	14400	16000	17600	19200	351	246
48	54	83	104	11	14.5	26.25	13125	15750	18375	21000	23625	26250	28875	31500	405	284
48	60	91	105	13	22	20.00	10000	12000	14000	16000	18000	20000	22000	24000	425	298
48	72	91	121	13	22	24.00	12000	14400	16800	19200	21600	24000	26400	28800	459	321
48	84	91	139	13	22	28.00	14000	16800	19600	22400	25200	28000	30800	33600	512	358
48	96	96	144	13	22	32.00	16000	19200	22400	25600	28800	32000	35200	38400	550	385
48	108	96	163	13	22	36.00	18000	21600	25200	28800	32400	36000	39600	43200	710	497
48	120	96	180	13	22	40.00	20000	24000	28000	32000	36000	40000	44000	48000	746	522
54	54	91	102	13	22	20.25	10125	12150	14175	16200	18225	20250	22275	24300	441	309
54	60	91	113	13	22	22.50	11250	13500	15750	18000	20250	22500	24750	27000	455	319
54	72	91	134	13	22	27.00	13500	16200	18900	21600	24300	27000	29700	32400	512	358
54	84	96	144	13	22	31.50	15750	18900	22050	25200	28350	31500	34650	37800	550	385
54	96	96	161	13	22	36.00	18000	21600	25200	28800	32400	36000	39600	43200	710	497
54	108	110	164	13	24	40.50	20250	24300	28350	32400	36450	40500	44550	48600	746	522
54	120	110	183	13	24	45.00	22500	27000	31500	36000	40500	45000	49500	54000	776	543
60	60	91	128	13	22	25.00	12500	15000	17500	20000	22500	25000	27500	30000	510	357
60	72	96	135	13	22	30.00	15000	18000	21000	24000	27000	30000	33000	36000	551	386
60	84	110	142	13	24	35.00	17500	21000	24500	28000	31500	35000	38500	42000	710	497
60	96	110	162	13	24	40.00	20000	24000	28000	32000	36000	40000	44000	48000	746	522
60	108	118	167	14	27	45.00	22500	27000	31500	36000	40500	45000	49500	54000	960	672
60	120	118	182	14	27	50.00	25000	30000	35000	40000	45000	50000	55000	60000	1004	703
72	72	118	136	14	27	36.00	18000	21600	25200	28800	32400	36000	39600	43200	911	638
72	84	118	156	14	27	42.00	21000	25200	29400	33600	37800	42000	46200	50400	960	672
72	96	136	160	14	30	48.00	24000	28800	33600	38400	43200	48000	52800	57600	1149	804
72	108	144	166	14	30	54.00	27000	32400	37800	43200	48600	54000	59400	64800	1275	893
72	120	144	183	14	30	60.00	30000	36000	42000	48000	54000	60000	66000	72000	1402	981
84	84	144	154	14	30	49.00	24500	29400	34300	39200	44100	49000	53900	58800	1160	812
84	96	144	173	14	30	56.00	28000	33600	39200	44800	50400	56000	61600	67200	1212	848
84	108	152	182	14	30	63.00	31500	37800	44100	50400	56700	63000	69300	75600	1275	893
84	120	168	182	14	30	70.00	35000	42000	49000	56000	63000	70000	77000	84000	1402	981
96	96	168	168	14	30	64.00	32000	38400	44800	51200	57600	64000	70400	76800	1383	968
96	108	174	180	14	30	72.00	36000	43200	50400	57600	64800	72000	79200	86400	1555	1089
96	120	180	190	14	30	80.00	40000	48000	56000	64000	72000	80000	88000	96000	1726	1208

# MODEL ST – Relief Performance Data

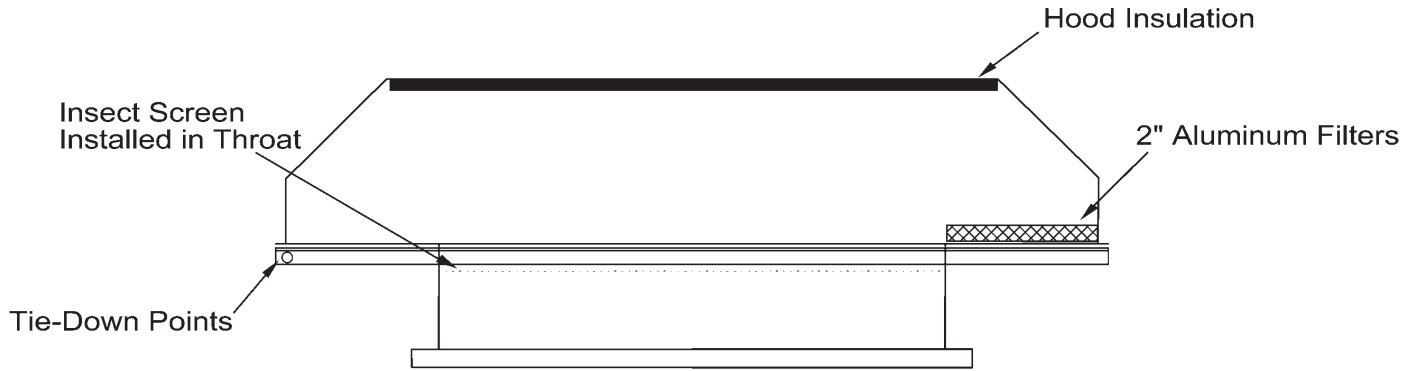


Width	Length	A	B	H1	H2	Sq. Foot	Static Pressure Drop (in. wg)								Galv. Weight	Alum. Weight
							0.039	0.077	0.100	0.127	0.189	0.225	0.310	0.352		
							Hood and Throat Velocity (FPM)									
500	700	800	900	1100	1200	1400	1500									
12	12	20	20	4	4	1.00	500	700	800	900	1100	1200	1400	1500	18	12
12	14	20	22	4	4	1.17	585	819	936	1053	1287	1404	1638	1755	22	16
12	16	20	24	4	4	1.33	665	931	1064	1197	1463	1596	1862	1995	25	17
12	18	20	26	4	4	1.50	750	1050	1200	1350	1650	1800	2100	2250	25	18
12	20	22	30	5	5	1.67	835	1169	1336	1503	1837	2004	2338	2505	31	22
12	24	22	34	5	5	2.00	1000	1400	1600	1800	2200	2400	2800	3000	33	22
12	30	22	40	5	5	2.50	1250	1750	2000	2250	2750	3000	3500	3750	48	37
12	36	24	48	5	6	3.00	1500	2100	2400	2700	3300	3600	4200	4500	56	43
12	42	24	54	5	6	3.50	1750	2450	2800	3150	3850	4200	4900	5250	62	47
12	48	24	60	5	6	4.00	2000	2800	3200	3600	4400	4800	5600	6000	68	52
14	14	24	24	5	5	1.46	730	1022	1168	1314	1606	1752	2044	2190	27	19
14	16	24	26	5	5	1.56	780	1092	1248	1404	1716	1872	2184	2340	27	20
14	18	24	28	5	5	1.75	875	1225	1400	1575	1925	2100	2450	2625	27	21
14	20	24	30	5	5	1.94	970	1358	1552	1746	2134	2328	2716	2910	31	22
14	24	24	34	5	5	2.50	1250	1750	2000	2250	2750	3000	3500	3750	33	23
14	30	26	42	6	6	2.92	1460	2044	2336	2628	3212	3504	4088	4380	58	45
14	36	26	48	6	6	3.50	1750	2450	2800	3150	3850	4200	4900	5250	64	49
14	42	26	54	6	6	4.08	2040	2856	3264	3672	4488	4896	5712	6120	71	54
14	48	28	62	6	7	4.67	2335	3269	3736	4203	5137	5604	6538	7005	80	59
14	54	28	68	6	7	5.25	2625	3675	4200	4725	5775	6300	7350	7875	87	65
16	16	26	26	5	5	1.78	890	1246	1424	1602	1958	2136	2492	2670	27	18
16	18	26	28	5	5	2.00	1000	1400	1600	1800	2200	2400	2800	3000	33	23
16	20	26	30	5	5	2.22	1110	1554	1776	1998	2442	2664	3108	3330	34	24
16	24	29	37	5	6.5	2.63	1315	1841	2104	2367	2893	3156	3682	3945	38	26
16	30	29	43	5	6.5	3.33	1665	2331	2664	2997	3663	3996	4662	4995	62	47
16	36	29	49	5	6.5	4.00	2000	2800	3200	3600	4400	4800	5600	6000	69	53
16	42	29	55	5	6.5	4.67	2335	3269	3736	4203	5137	5604	6538	7005	74	56
16	48	31	63	6	7.5	5.33	2665	3731	4264	4797	5863	6396	7462	7995	85	64
16	54	31	69	6	7.5	6.00	3000	4200	4800	5400	6600	7200	8400	9000	92	70
16	60	31	75	6	7.5	6.67	3335	4669	5336	6003	7337	8004	9338	10005	99	75
18	18	30	30	5	6	2.25	1125	1575	1800	2025	2475	2700	3150	3375	39	28
18	20	30	32	5	6	2.50	1250	1750	2000	2250	2750	3000	3500	3750	40	29
18	24	30	36	5	6	3.00	1500	2100	2400	2700	3300	3600	4200	4500	41	30
18	30	32	34	6	7	3.75	1875	2625	3000	3375	4125	4500	5250	5625	72	55
18	36	30	50	6	7	4.50	2250	3150	3600	4050	4950	5400	6300	6750	82	61
18	42	30	56	6	7	5.25	2625	3675	4200	4725	5775	6300	7350	7875	88	68
18	48	36	66	7	9	6.00	3000	4200	4800	5400	6600	7200	8400	9000	106	80
18	54	36	72	7	9	6.75	3375	4725	5400	6075	7425	8100	9450	10125	115	86
18	60	36	78	7	9	7.50	3750	5250	6000	6750	8250	9000	10500	11250	123	92
18	72	36	90	7	9	9.00	4500	6300	7200	8100	9900	10800	12600	13500	143	107
20	20	32	102	5	6	2.78	1390	1946	2224	2502	3058	3336	3892	4170	39	26
20	24	32	114	5	6	3.33	1665	2331	2664	2997	3663	3996	4662	4995	65	51
20	30	35	45	6	7.5	4.17	2085	2919	3336	3753	4587	5004	5838	6255	79	61
20	36	35	51	6	7.5	5.00	2500	3500	4000	4500	5500	6000	7000	7500	89	68
20	42	35	57	6	7.5	5.83	2915	4081	4664	5247	6413	6996	8162	8745	97	75
20	48	38	66	7	9	6.67	3335	4669	5336	6003	7337	8004	9338	10005	113	85
20	54	38	72	7	9	7.50	3750	5250	6000	6750	8250	9000	10500	11250	122	92
20	60	38	78	7	9	8.33	4165	5831	6664	7497	9163	9996	11662	12495	134	102
20	72	38	90	7	9	10.00	5000	7000	8000	9000	11000	12000	14000	15000	152	115
20	84	38	102	7	9	11.67	5835	8169	9336	10503	12837	14004	16338	17505	169	128

# MODEL ST – Relief Performance Data (continued)

Width	Length	A	B	H1	H2	Sq. Foot	Static Pressure Drop (in. wg)								Galv. Weight	Alum. Weight
							0.039	0.077	0.100	0.127	0.189	0.225	0.310	0.352		
							Hood and Throat Velocity (FPM)									
							500	700	800	900	1100	1200	1400	1500		
24	24	40	40	7	8	4.00	2000	2800	3200	3600	4400	4800	5600	6000	87	73
24	30	40	46	7	8	5.00	2500	3500	4000	4500	5500	6000	7000	7500	94	79
24	36	40	52	7	8	6.00	3000	4200	4800	5400	6600	7200	8400	9000	105	87
24	42	43	61	8	9.5	7.00	3500	4900	5600	6300	7700	8400	9800	10500	122	100
24	48	43	67	8	9.5	8.00	4000	5600	6400	7200	8800	9600	11200	12000	132	108
24	54	43	73	8	9.5	9.00	4500	6300	7200	8100	9900	10800	12600	13500	141	119
24	60	46	82	9	11	10.00	5000	7000	8000	9000	11000	12000	14000	15000	176	130
24	72	46	94	9	11	12.00	6000	8400	9600	10800	13200	14400	16800	18000	208	156
24	84	46	106	9	11	14.00	7000	9800	11200	12600	15400	16800	19600	21000	231	173
24	96	46	118	9	11	16.00	8000	11200	12800	14400	17600	19200	22400	24000	266	190
30	30	50	50	7	10	6.25	3125	4375	5000	5625	6875	7500	8750	9375	118	97
30	36	50	56	7	10	7.50	3750	5250	6000	6750	8250	9000	10500	11250	128	105
30	42	50	62	7	10	8.75	4375	6125	7000	7875	9625	10500	12250	13125	138	114
30	48	53	71	8	11.5	10.00	5000	7000	8000	9000	11000	12000	14000	15000	157	128
30	54	53	77	8	11.5	11.25	5625	7875	9000	10125	12375	13500	15750	16875	168	137
30	60	53	83	8	11.5	12.50	6250	8750	10000	11250	13750	15000	17500	18750	201	151
30	72	55	97	9	12.5	15.00	7500	10500	12000	13500	16500	18000	21000	22500	240	179
30	84	55	109	9	12.5	17.50	8750	12250	14000	15750	19250	21000	24500	26250	264	197
30	96	55	121	9	12.5	20.00	10000	14000	16000	18000	22000	24000	28000	30000	300	210
36	36	60	60	9	12	9.00	4500	6300	7200	8100	9900	10800	12600	13500	184	132
36	42	60	66	9	12	10.50	5250	7350	8400	9450	11550	12600	14700	15750	197	141
36	48	60	72	9	12	12.00	6000	8400	9600	10800	13200	14400	16800	18000	210	151
36	54	63	81	10	13.5	13.50	6750	9450	10800	12150	14850	16200	18900	20250	236	167
36	60	63	87	10	13.5	15.00	7500	10500	12000	13500	16500	18000	21000	22500	257	184
36	72	65	101	11	14.5	18.00	9000	12600	14400	16200	19800	21600	25200	27000	303	216
36	84	65	113	11	14.5	21.00	10500	14700	16800	18900	23100	25200	29400	31500	330	234
36	96	65	125	11	14.5	24.00	12000	16800	19200	21600	26400	28800	33600	36000	384	269
42	42	68	68	10	13	12.25	6125	8575	9800	11025	13475	14700	17150	18375	239	160
42	48	68	74	10	13	14.00	7000	9800	11200	12600	15400	16800	19600	21000	253	169
42	54	71	83	11	14.5	15.75	7875	11025	12600	14175	17325	18900	22050	23625	283	186
42	60	71	89	11	14.5	17.50	8750	12250	14000	15750	19250	21000	24500	26250	313	211
42	72	74	104	11	16	21.00	10500	14700	16800	18900	23100	25200	29400	31500	364	241
42	84	74	116	11	16	24.50	12250	17150	19600	22050	26950	29400	34300	36750	397	262
42	96	74	128	11	16	28.00	14000	19600	22400	25200	30800	33600	39200	42000	440	308
42	108	74	140	11	16	31.50	15750	22050	25200	28350	34650	37800	44100	47250	504	352
48	48	77	77	11	14.5	16.00	8000	11200	12800	14400	17600	19200	22400	24000	287	187
48	54	77	83	11	14.5	26.25	13125	18375	21000	23625	28875	31500	36750	39375	303	197
48	60	80	92	12	16	20.00	10000	14000	16000	18000	22000	24000	28000	30000	339	219
48	72	83	107	12	17.5	24.00	12000	16800	19200	21600	26400	28800	33600	36000	405	264
48	84	83	119	12	17.5	28.00	14000	19600	22400	25200	30800	33600	39200	42000	440	286
48	96	83	131	12	17.5	32.00	16000	22400	25600	28800	35200	38400	44800	48000	512	333
48	108	83	143	12	17.5	36.00	18000	25200	28800	32400	39600	43200	50400	54000	576	375
48	120	83	155	12	17.5	40.00	20000	28000	32000	36000	44000	48000	56000	60000	640	416
54	54	83	83	12	17.5	20.25	10125	14175	16200	18225	22275	24300	28350	30375	339	217
54	60	83	88	12	17.5	22.50	11250	15750	18000	20250	24750	27000	31500	33750	351	223
54	72	91	96	13	22	27.00	13500	18900	21600	24300	29700	32400	37800	40500	425	276
54	84	91	113	13	22	31.50	15750	22050	25200	28350	34650	37800	44100	47250	459	292
54	96	91	129	13	22	36.00	18000	25200	28800	32400	39600	43200	50400	54000	512	333
54	108	91	144	13	22	40.50	20250	28350	32400	36450	44550	48600	56700	60750	544	354
54	120	91	160	13	22	45.00	22500	31500	36000	40500	49500	54000	63000	67500	684	445
60	60	83	96	12	17.5	25.00	12500	17500	20000	22500	27500	30000	35000	37500	375	240
60	72	91	107	13	22	30.00	15000	21000	24000	27000	33000	36000	42000	45000	455	295
60	84	91	125	13	22	35.00	17500	24500	28000	31500	38500	42000	49000	52500	512	332
60	96	91	144	13	22	40.00	20000	28000	32000	36000	44000	48000	56000	60000	550	351
60	108	96	152	13	22	45.00	22500	31500	36000	40500	49500	54000	63000	67500	710	440
60	120	96	170	13	22	50.00	25000	35000	40000	45000	55000	60000	70000	75000	746	456
72	72	96	120	13	22	36.00	18000	25200	28800	32400	39600	43200	50400	54000	511	327
72	84	110	124	13	24	42.00	21000	29400	33600	37800	46200	50400	58800	63000	766	483
72	96	110	142	13	24	48.00	24000	33600	38400	43200	52800	57600	67200	72000	822	502
72	108	118	150	14	27	54.00	27000	37800	43200	48600	59400	64800	75600	81000	880	533
72	120	118	166	14	27	60.00	30000	42000	48000	54000	66000	72000	84000	90000	937	558
84	84	118	134	13	27	49.00	24500	34300	39200	44100	53900	58800	68600	73500	911	573
84	96	118	154	13	27	56.00	28000	39200	44800	50400	61600	67200	78400	84000	960	595
84	108	118	172	14	29	63.00	31500	44100	50400	56700	69300	75600	88200	94500	1004	614
84	120	118	190	14	29	70.00	35000	49000	56000	63000	77000	84000	98000	105000	1052	636
96	96	136	152	14	30	64.00	32000	44800	51200	57600	70400	76800	89600	96000	1149	685
96	108	136	172	14	30	72.00	36000	50400	57600	64800	79200	86400	100800	108000	1212	713
96	120	136	190	14	30	80.00	40000	56000	64000	72000	88000	96000	112000	120000	1269	740

# MODEL ST – Optional Features



Fiberglass hood insulation can be installed to the underside of the hood. This will prevent condensation on the underside of the hood. Both 1/2" or 1" insulation is available.

Aluminum or Stainless Steel birdscreen is available in place of the standard galvanized birdscreen.

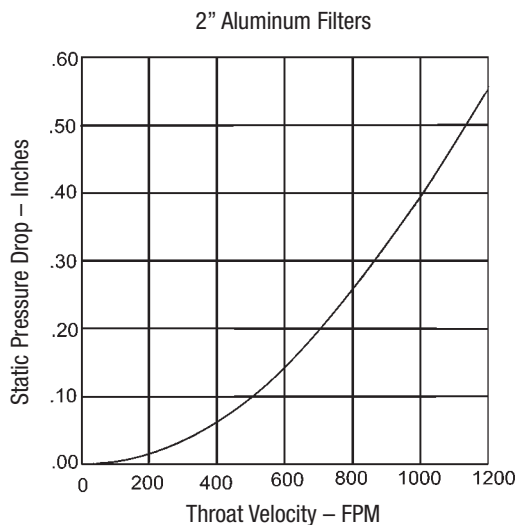
Tie-down points at the ends of the hood support angle are available. Cable tie-downs help prevent wind damage in high wind areas.

Special coatings are available, including special color to match enamels, epoxies and urethane. Urethane powder coatings are also available. When special coatings are specified, the coating is applied to all surfaces. Consult factory for information regarding which coating to use.

2" Aluminum Intake Filters can be installed horizontally on the hood entrance perimeter. Refer below for static pressure drop table.

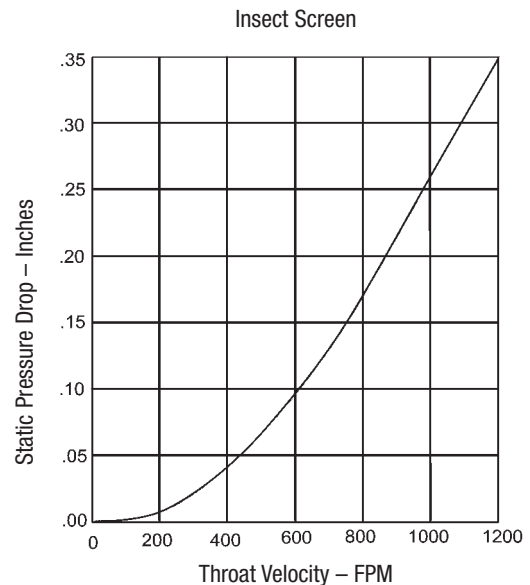
### Aluminum Intake Filters

The standard 2" aluminum filters on Romlair Model ST ventilators are the permanent washable type. They are for applications where dust and foreign material need to be removed from the airstream. Refer to the table to determine the static pressure of the filters.



### Insect Screen

Insect screen is installed horizontally in the neck of the ventilator is available. This will prevent insects from entering the building. Refer to the table to determine the static pressure drop of the screen.



## OPTIONAL ACCESSORIES

**PREFABRICATED ROOF CURBS** – Curbs are welded 18 gauge galvanized steel: available as self-flashing type (Type SF) or as Roofed-Over-Flashing type with built-in-cant strip and wood nailer (Type CF). 1-1/2" insulation is standard on all roof curbs. Use Type SF curbs on on single or double pitch roof slopes.

**BACKDRAFT DAMPERS** – Model RBD (Relief) and RBDS (Intake). Available with an optional 115v actuator

## VENTILATION LINE

Romla Ventilator offers a very comprehensive warehouse ventilation line. From the intake louvers in the wall to the power roof ventilators on the roof, Romlair can provide all the products to efficiency move the air flow in your facility.



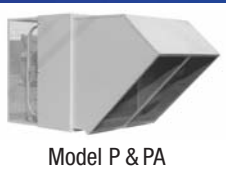
Model RPV



Model RSV



Model VBO & VBO-HV



Model P & PA



Model HFS

**MODEL RPV** – Extruded aluminum louvered penthouse features low silhouette architecturally appealing styling for exhaust relief or air intake ventilation.

**MODEL RSV** – Is a spun aluminum roof mounted gravity ventilator to be used on intake or relief applications. Attractive low silhouette design harmonizes with modern building design.

**MODEL VBO-HV** – Available with U.L. Listing for "Power Ventilators For Smoke Control Systems". Heat and smoke exhauster is designed to meet the high temperature requirements of the Uniform Fire Code and IRI recommendations. Independently tested to operate without failure at 500°F for a minimum of 4 hours, and 1,000°F for a minimum of 15 minutes.

**MODEL VBO** – Heavy-duty vertical discharge power roof exhauster operates reliably in hostile environments. Motor, belts and bearings are outside of the airstream. **SIDEWALL FAN WITH HOUSING** – Model P, PA & PS Panel fan available in sizes 24" to 72", with high air volumes up to 100,000 cfm. Accessories include Wall Housings, Wall collar, Dampers, Motor Side Guard, Weatherhood, and special coatings.

**HOODED SUPPLY AND EXHAUST FANS** – Model H Series power roof ventilators available in sizes 24" thru 72", 2,500 cfm to 60,000 cfm. The model HFS features 2" washable filters.

**WALL LOUVERS-GRAVITY INTAKE VENTILATORS** – High performance wall louvers, and hooded gravity ventilators to provide air intake or relief.

## SPECIFICATIONS

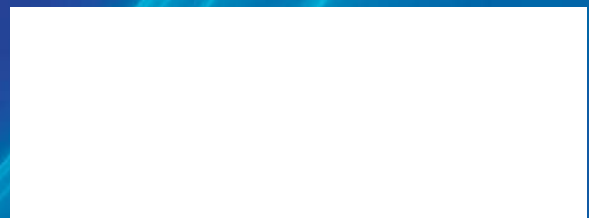
Contractors shall furnish and install, where shown on the plans, Model ST hooded intake-relief ventilators as manufactured by Romla Ventilator Company. Construction shall be sound and substantial. All hoods shall be spot welded or riveted at the ends. Vertical base seams shall be continuously welded on larger units, with spot welded construction on small sizes. Hoods on larger units shall be reinforced with interior structural supports and use standing seams where sheets are joined. Hoods shall be fastened to the throat with sheet metal fasteners for easy removal. 1/2" mesh 19 ga. galvanized birdscreen shall be installed as standard. Optional accessories shall include: factory built curb, backdraft dampers, insect screen, protective coating.

## 1 YEAR WARRANTY

The Romla Ventilator Company warrants this equipment to be free from defects in material and workmanship under normal use and service for a period of one year from date of delivery. During the warranty period if any parts prove to be defective, they will be repaired or replaced free of charge at factory option: If upon receipt of written authorization they are delivered prepaid to the factory. This guarantee does not cover the cost of repairs made or attempted outside the factory, without authorization from Romla Company.

Romla Company is not responsible for the cost of removal of the defective product or part, or the installation of the repaired or replaced product or part. Correction of any verified defects by repair or replacement shall constitute fulfillment of this warranty.

**Distributed By**



**ROMLA VENTILATOR COMPANY**  
9668 Heinrich Hertz Drive, Unit D  
San Diego, California 92154  
619/946-1224 • Fax 619/946-1227 • [www.romlair.com](http://www.romlair.com)