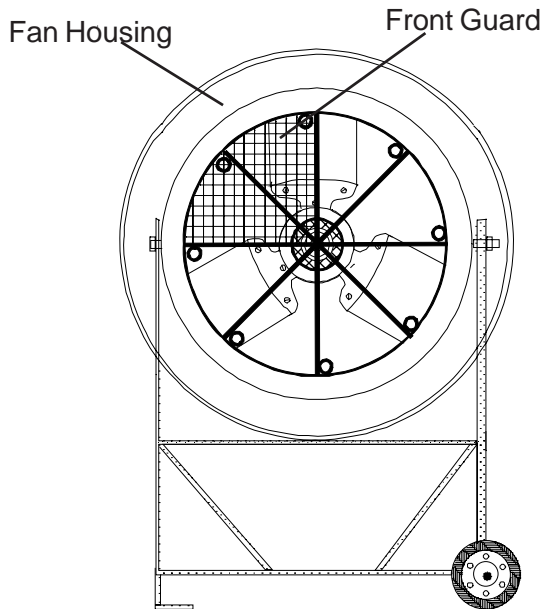
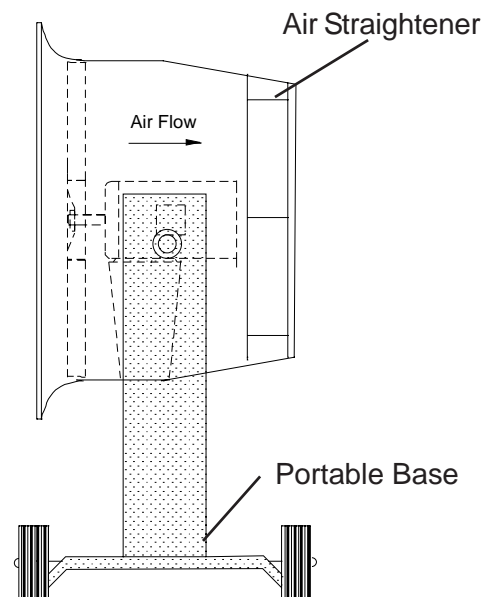


INSTALLATION AND MAINTENANCE INSTRUCTIONS MODEL R-PB PORTABLE FAN



Verify Direction of Airflow



MODEL AF-PB PEDESTAL FANS

On applications where a portable type fan is required, the superior design of the R-PB delivers substantially more air than other type of pedestal or box fans. The fans are always shipped fully assembled.

SHIPPING INSPECTION

Upon receiving unit, check for any damage and report it immediately to the shipper. Also check to see that all accessory items are accounted for.

FAN GUARDS

Wire guards are installed on the inlet and outlet sides of the fan. The guards are easily removed by removing the hold down fasteners. Never operate the fans without both guards in place.

SINGLE AND THREE PHASE MOTORS

Single phase 115v units are standard with a 12 foot cord and connector for standard 115v electrical outlets. Other voltages and three phase units are not supplied with cord and connector. These will need to be supplied with an appropriate cord and connector or hard wired directly to 3 phase power.

PROPER FAN ROTATION

Check fan rotation upon startup. The airflow should correspond with the Air Flow arrows on the fan housing. If the airflow is in the wrong direction, reverse the rotation of motor. This usually can be accomplished by reversing the connection wires.

IMPORTANT SAFETY INFORMATION

1. Comply with all local, state and federal codes. Verify that the phase and voltage confirm to the motor and name plate information.
2. Motor needs to be adequately grounded.
3. Disconnect all remote power sources before performing any maintenance
4. OSHA requires that guards must be installed when a fan is within reach of personnel or within seven (7) feet of working level or when deemed advisable for safety.