

# MODEL H

(Cast Aluminum Propeller)

*Romlair Model H Hooded Propeller Roof Fans are intended for the general ventilation of factories and warehouses. These fans can also be placed to provide spot ventilation in specific problem areas.*

## Hooded Direct Driven Exhaust And Supply Fans

### CONSTRUCTION FEATURES

- **Cast Aluminum Airfoil Propeller** – For high performance at medium pressure levels.
- **Heavy Duty, Long-Life Construction** – Built to industrial standards. The heavy gauge galvanized hood utilizes an interlocking rib at the seams that provides superior strength. All welded fan base.
- **Hinged Hood** – Provides easy access to fan motor and propeller.
- **Motor Frame** – The heavy duty all welded drive frame provides a rigid platform for motor and propeller.
- **Minimal Maintenance Cost** – Maintenance costs are generally lower with direct drive fans, since there are no belts or bearings to replace and no pulleys to adjust.
- **Heavy Duty Ball Bearing Motor** – Provides years of trouble free operation.
- **Deep Spun Venturi** – For high efficiency.
- **UL Listing** – UL705 listing is available on TEFC models up to 10 Hp.

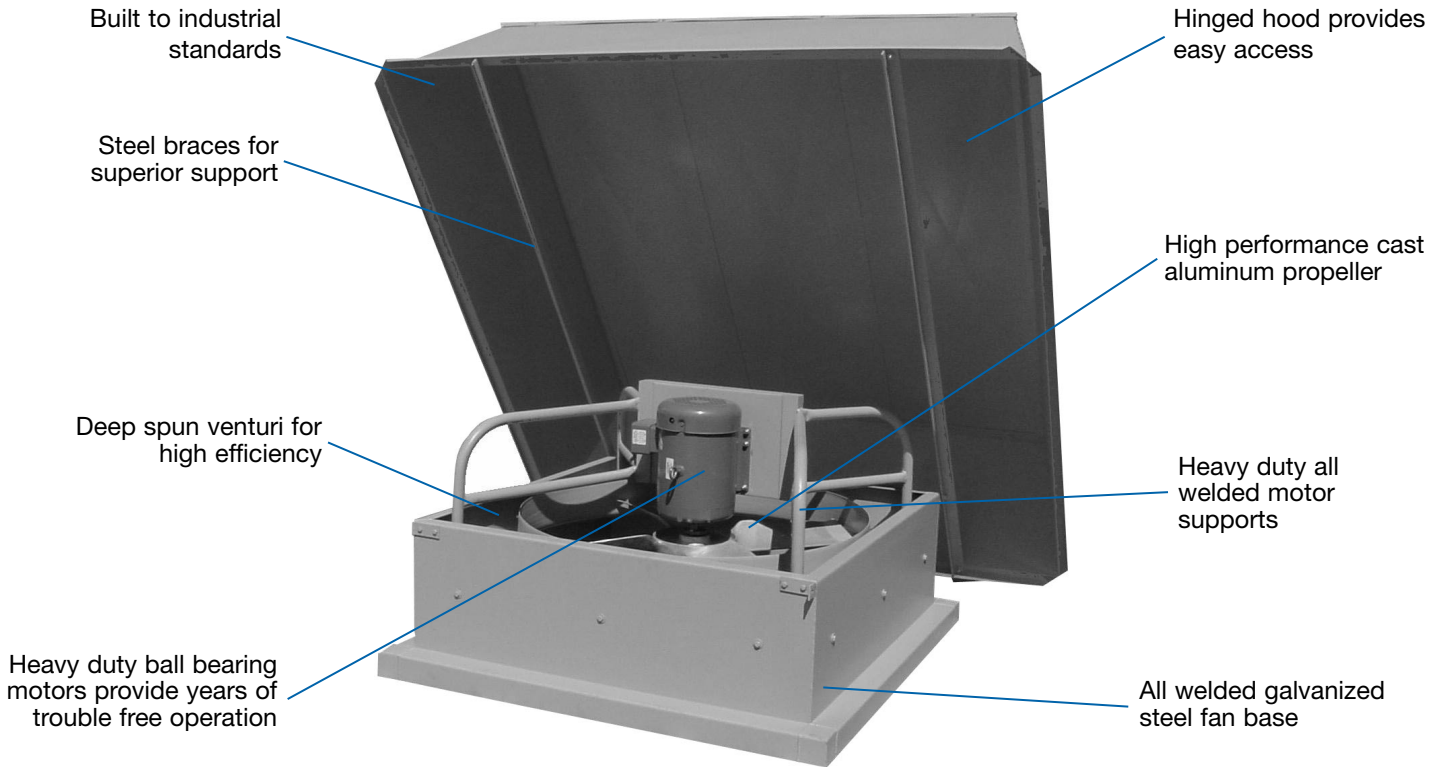


**SUPPLY FANS** – Application for introducing large volumes of air into schools, commercial buildings, warehouses, power plants, industrial plants, equipment rooms, shipping centers, supermarkets.

**EXHAUST FANS** – Application for removing heat, moisture, contaminants, fumes, smoke and grease from similar buildings as supply fans. Many codes require specific removal requirements.

*Romlair also offers the same version in belt drive with a cast aluminum propeller, a filter intake belt driven version, and a reversible flow version.*

# MODEL H TYPICAL CONSTRUCTION



# MODEL H EXHAUST APPLICATION PERFORMANCE DATA

MODEL	HP	RPM	BHP	*SONES	STATIC PRESSURE / CAPACITY						
					0.00	0.10	0.125	0.25	0.375	0.5	0.625
H-242E-11	1/3	1160	.38	17	5320	4736	4572	3812			
H-243E-11	1/2	1160	.58	19	6351	4829	5673	4918			
H-244E-11	3/4	1160	.88	20	7053	6591	6494	5915	5219		
H-245-11	1	1160	1.16	25	8039	7560	7425	6691	5925	5005	
H-245E-17	1	1750	1.08	32	7395	7015	6911	6439	5958	5491	5018
H-246E-17	1-1/2	1750	1.67	34	8442	8118	8035	7695	7359	7010	6625
H-247E-17	2	1750	2.20	38	9669	9372	9295	8911	8538	8205	7617
H-302E-8	1/3	860	.37	17	6428	5542	5376	4313			
H-303E-8	1/2	860	.57	27	6898	6311	6157	5562			
H-304E-8	3/4	860	.86	18	9128	8229	7996	6755			
H-305E-8	1	860	1.15	20	9898	8818	8580	7318			
H-305E-11	1	1160	1.16	24	9968	9343	9183	8339	7578	6640	
H-306E-11	1-1/2	1160	1.72	26	11563	10961	10798	9995	9081	8110	
H-307E-11	2	1160	2.27	29	12881	12218	12051	11152	10078	9109	7932
H-364E-8	3/4	860	.82	25	11161	10132	9865	8170	5901		
H-365E-8	1	860	1.10	25	13065	12060	11771	9982	7775		
H-366E-8	1-1/2	860	1.48	25	14441	13210	12868	10968	8621		
H-364E-11	3/4	1160	.70	30	10440	9178	8858	7085	4375		
H-365E-11	1	1160	1.18	32	12830	11901	11542	10218	8631	6511	
H-366E-11	1-1/2	1160	1.70	34	14644	13948	13852	12305	11625	10188	8270
H-367E-11	2	1160	2.20	35	16226	15301	15120	14089	13029	11545	9771
H-368E-11	3	1160	3.54	39	19470	18601	18375	17106	15810	13995	12365
H-369E-11	5	1160	5.76	44	21923	20014	20776	19433	17645	15210	
H-425E-8	1	860	1.17	29	14470	13181	12830	11021	8997	6712	4188
H-426E-8	1-1/2	860	1.54	28	17381	16082	15696	13949	11862	9465	6640
H-427E-8	2	860	2.32	29	19885	18557	18248	16530	14619	12081	8886
H-428E-8	3	860	3.31	32	22478	22135	20741	18620	16410	14055	10990
H-486E-8	1-1/2	860	1.46	36	19795	18129	17730	15410	12810	9625	5874
H-488E-8	3	860	3.32	37	27531	25675	25241	22871	20249	17015	13355
H-489E-8	5	860	5.32	38	31420	29632	29045	26482	23850	20634	16476
H-4810E-8	7-1/2	860	7.80	42	34032	31665	31130	28075	24309	18173	17750

# MODEL H SUPPLY APPLICATION

# PERFORMANCE DATA

MODEL	HP	RPM	BHP	*SONES	STATIC PRESSURE / CAPACITY						
					0.00	0.10	0.125	0.25	0.375	0.5	0.625
H-242S-11	1/3	1160	.38	24	4752	4383	4280	3575			
H-243S-11	1/2	1160	.53	26	5576	5242	5150	4596			
H-244S-11	3/4	1160	.87	29	7152	6828	6746	6244	5232		
H-245S-11	1	1160	1.13	33	8045	7638	7517	6788	5519	3034	
H-245S-17	1	1750	1.21	38	8031	7647	7569	7114	6583	6144	4895
H-246S-17	1-1/2	1750	1.79	48	8402	8183	8125	7842	7550	7198	6458
H-247S-17	2	1750	2.36	49	9576	9359	9302	9032	8763	8434	8000
H-302S-8	1/3	860	.36	22	7056	6307	6098	4473			
H-303S-8	1/2	860	.56	25	8601	7896	7693	6373			
H-304S-8	3/4	860	.83	26	10313	9559	9337	7474			
H-305S-8	1	860	1.09	28	11456	10635	10383	8687			
H-305S-11	1	1160	1.20	37	10919	10349	10213	9479	8555	6814	
H-306S-11	1-1/2	1160	1.74	39	13019	12468	12314	11670	10719	8943	
H-307S-11	2	1160	2.38	42	14657	14139	14006	13206	12221	10207	8259
H-364S-8	3/4	860	.85	31	11526	10529	10246	8614	5912		
H-365S-8	1	860	1.17	33	13346	12468	12155	10350	7287		
H-366S-8	1-1/2	860	1.72	35	15315	14261	13999	11925	8053		
H-364S-11	3/4	1160	.88	37	11435	10122	9800	8110	6006		
H-365S-11	1	1160	1.18	43	11796	11013	10789	9750	8596	6927	5435
H-366S-11	1-1/2	1160	1.84	48	14754	13958	13750	12732	11584	10158	8163
H-367S-11	2	1160	2.37	50	16797	16002	15783	14654	13411	11967	10011
H-368S-11	3	1160	3.53	56	19236	18628	18473	17446	16321	14197	12004
H-369S-11	5	1160	5.68	65	22291	21528	21334	20230	18794	15288	
H-425S-8	1	860	1.09	38	14126	12856	12556	10933	8507	6244	4125
H-426S-8	1-1/2	860	1.76	40	17804	16574	16269	14474	12325	9553	6438
H-427S-8	2	860	2.27	45	19944	18831	18565	16992	14626	11698	8003
H-428S-8	3	860	3.37	48	23444	22307	22005	20324	17511	14611	10403
H-486S-8	1-1/2	860	1.74	45	20631	19021	18617	16241	13647	10560	6821
H-488S-8	3	860	3.32	49	27812	25777	25337	23041	20395	16693	12003
H-489S-8	5	860	5.31	54	32436	30855	30338	27788	25170	20429	15239
H-4810S	7-1/2	860	7.74	55	36161	33711	33296	30778	26984	17899	

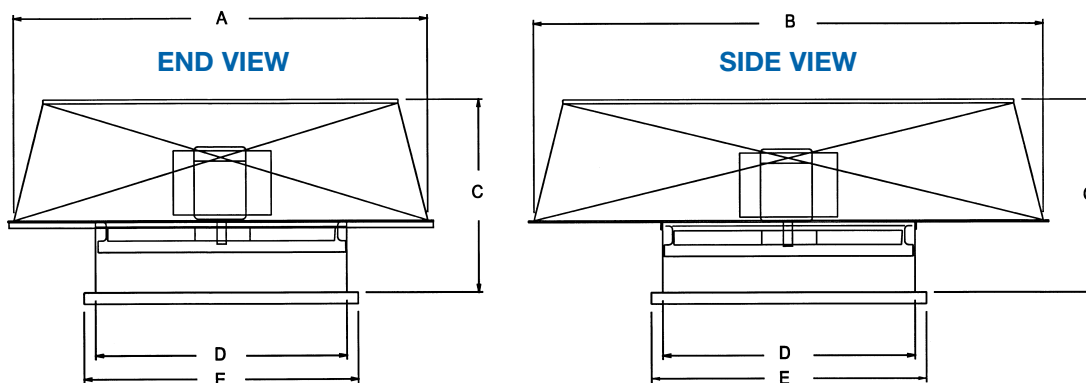
**NOTE:** The following pertains to both the exhaust and the supply application of the Model H.

Romla Co. certifies that the fans shown have been tested and rated in accordance with AMCA Bulletin 211 and are guaranteed by the manufacturer to deliver rated performance. \*Sones shown apply to the highest cataloged CFM at each fan RPM.

**MAX. BHP:** The brake horsepower capability of a fan motor is dependent on the degree of cooling the motor receives from the moving air stream over the motor. The motor loading beyond the motor name plate rating on Romla-built fans does not overheat the motor and is within NEMA recommended limits.

# MODEL H SUPPLY APPLICATION

# DIMENSIONAL DATA



FAN SIZE	DIMENSIONS (inches)					BASE GAUGE	HOOD GAUGE	DAMPER SIZE (ins. sq.)	ROOF OPENING (ins. sq.)	APPROX. WEIGHT (lbs.)
	A	B	C	D	E					
24	51	51	24	30.25	36	16	20	24	26.5	196
30	60	60	24	36.25	42	16	20	30	32.5	260
36	71	71	28	42.25	48	16	20	36	38.5	375
42	81	81	30	48.25	54	16	20	42	44.5	500
48	91	91	31	54.25	60	14	20	48	50.5	650
54	99	99	34	60.25	66	14	18	54	56.5	775
60	99	120	35	66.25	72	14	18	60	62.5	900
72	99	144	40	80.25	86	14	18	72	74.5	1200

## MODEL H ACCESSORIES

- **DAMPERS** – Model RBD gravity dampers are available for both exhaust and supply applications. Motorized operation is available.
- **HEAVY-DUTY BACKDRAFT DAMPERS** – Model RVC motorized heavy duty galvanized backdraft dampers can be used on either exhaust or supply applications. Designed for higher velocity application and are available in standard leakage and low leakage applications. All low leakage dampers include vinyl blade and jamb seals.
- **ROOF CURBS** – Type CF and SF prefabricated roof curbs are available to ensure compatibility between the fan, curb, and roof opening.
- **U.L. 705** – All belt driven fans up to 10 HP with TEFC standard efficiency and premium efficiency single speed motors are available with the UL-705 listing for electrical.
- **SAFETY GUARDS** – Safety guards installed at the fan inlet are recommended to protect the fan and nearby personnel in nonducted applications. Where a safety guard is not ordered with the fan, it should be provided by the installer.
- **SPECIAL COATINGS** – Special liquid coatings are available, including special color to match enamels, epoxies, and urethanes. Urethane powder coating are also available. Consult factory for information regarding which coating to use.
- **DISCONNECT SWITCHES** – The following switches are available. They are factory mounted non-wired. Optionally, wiring from the motor to the disconnect box can be provided. NEMA 1 - Indoor general purpose, NEMA 3R - Exterior mount, rain-tight, NEMA 4 - Water-tight and dust-tight.
- **EXTENDED LUBRICATION LINES** – All the pillow blockbearings to be lubricated without hinging the hood.
- **HOOD INSULATION** – 1/2” or 1-1/2” thickness insulation is available to minimize condensation and reduce sound levels.
- **HIGH WIND TIE DOWN POINTS** – In high wind locations, cable tie downs (by others) are recommended to secure fans to the roof. Four tie down points for cable attachment can be provided.

## SPECIFICATIONS

Roof mounted exhaust or supply hooded power roof ventilators shall be direct driven axial type. Fan shall incorporate a cast aluminum airfoil propeller. Propellers shall be statically and dynamically balanced. The fan housing shall be heavy gauge galvanized steel with vertical welded seams. The all welded motor support structure shall consist of a heavy gauge motor plate supported by heavy duty struts, welded to a deep spun orifice for greater airflow efficiency. Fan hoods shall be constructed of heavy gauge galvanized steel with interlocking ribs at the seams to provide superior strength. Hoods shall also be hinged to provide easy access to fan components such as motor and propeller. The units shall have 1/2” mesh galvanized birdscreen installed vertically along the perimeter of the fan base. Fans shall be Model H as manufactured by Romla Ventilator Company of San Diego, California.

## WARRANTIES

The Romla Ventilator Company warrants this equipment to be free from defects in material and workmanship under normal use and service for a period of one year from date of delivery. During the warranty period if any parts prove to be defective, they will be repaired or replaced free of charge at factory option: If upon receipt of written authorization they are delivered prepaid to the factory. This guarantee does not cover any damage caused by neglect of lubrication, accident or overload, improper installation, nor does it cover the cost of repairs made or attempted outside the factory, without authorization from Romla Co. Electric motors are guaranteed only to the extent of the motor manufacturer’s warranty.

Romla Co., is not responsible for the cost of removal of the defective product or part, or the installation of the repaired or replaced products or part. Correction of any verified defects by repair or replacement shall constitute fulfillment of this warranty.



**WARNING! DO NOT USE IN HAZARDOUS ENVIRONMENTS** where fans electrical system could provide ignition to combustible or flammable materials, unless unit is specifically built for hazardous environments. Guards must be installed when fan is within reach of personnel or within seven (7) feet of working level or when deemed advisable for safety.



**ROMLA VENTILATOR COMPANY**  
 9668 Heinrich Hertz Drive, Unit D  
 San Diego, California 92154  
 619/946-1224 • Fax 619/946-1227 • [www.romlair.com](http://www.romlair.com)

## DISTRIBUTED BY

