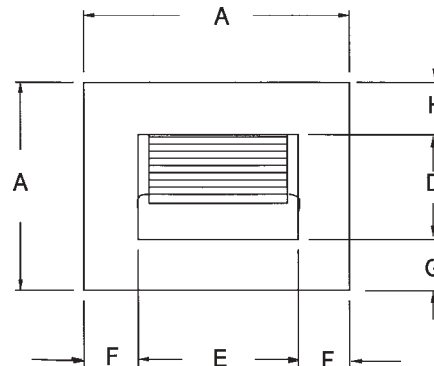
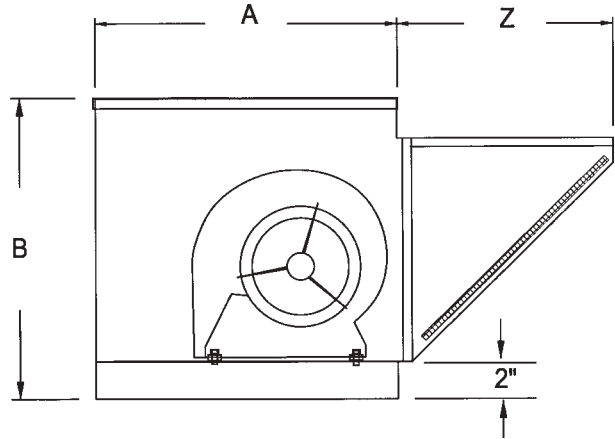




**Model RCF-SI**  
**Filtered Roof Supply Fan**  
**Side Intake**

- Sturdy Heavy Gauge Galvanized Steel Housing.
- Side Intake Hood to Provide Unrestricted Airflow and Maximum Weather Protection.
- One Inch Washable Aluminum Filters.
- Blower is a Double Width, Double Inlet (DWDI) Forward Curbe Centrifugal Type.
- Fan Capacity Ratings Based on Tests Made in Accordance With AMCA Std 211

**ROMLA VENTILATOR CO.**  
 9668 Heinrich Hertz Drive • Unit D  
 San Diego, California 92154  
 Ph (619) 946-1224 Fax (619) 946-1227



**BASE OF UNIT**

**Abbreviation for Accessories**

- CF-8** -Type CF roof curb 8" high
- BD** -Backdraft Damper
- MBD** -Motorized damper 1/115v
- DCS** -Disconnect switch NEMA 1

FAN SIZE	A	B	D	E	F	G	H	Z	*INSIDE CABINET	WT.
9	24.38	19.38	10.25	11.81	6.28	7.06	7.06	21.5	24 X 24	79
10	28.38	21.38	11.38	13.12	7.63	8.50	8.12	25.75	28 X 28	99
12	32.38	24.63	13.44	15.63	8.06	9.38	9.38	30.75	32 X 32	131
15	36.38	28.38	15.88	18.63	8.50	7.75	12.31	33.50	36 X 36	192
18	36.38	42.50	18.88	21.88	7.25	6.00	11.50	40.25	36 X 36	308
20	44.38	49	24.75	24.75	9.81	14.44	5.18	45.50	44 X 44	605

**SPECIFICATIONS**

QTY.	MODEL	TAG	CFM	SP	RPM	OV	HP	VOLTS	PH	HZ	TYPE	OPTIONS

<p><b>PROJECT:</b>  <b>LOCATION:</b>  <b>SUBMITTED BY:</b>  <b>DATE:</b></p>	<p><b>CONTRACTOR:</b>  <b>ENGINEER:</b>  <b>APPROVED BY:</b>  <b>DATE:</b></p>
--	--