

SUBMITTAL & SPECIFICATION SHEET



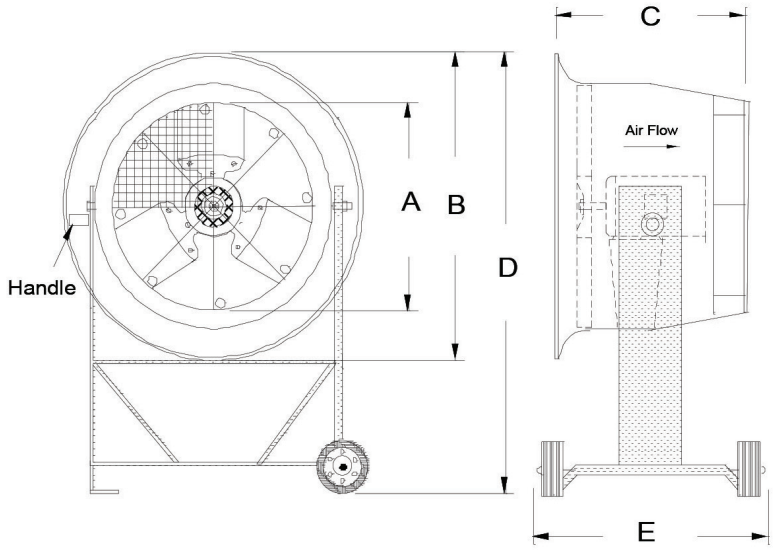
9668-D Heinrich Hertz Drive | San Diego, CA 92154
(888) 957-3448 | Romlair.com

MODEL AF-PB | Air Circulator, Pedestal Base

Model AF-PB pedestal base fans provide the power of air circulator fan with the mobility of a pedestal fan. They are ideal for applications where different locations need improved air flow at different times.

These pedestal fans have a special inlet / outlet cone design that delivers substantially more air than other type pedestal or box fans. The fan's heavy-duty construction will give a lifetime of reliable service.

- Pedestal base mounted
- Direct drive motor for minimal maintenance.
- Attractive deep spun 14 gauge steel housing.
- Safety guards, constructed of 1/2" mesh galvanized steel screen, on both the inlet and exhaust side of fan.
- Motor mounting bracket designed to fit most standard off-the-shelf motors.
- Power cord furnished on single phase units.
- Fan housing is coated with a thermally fused powdered polyurethane black finish.



DIMENSIONS & WEIGHTS

Model	A	B	C	D	E	SHIP WT
AF-PB-14	12	20 ¼	17 ¾	40 ⅝	17 ¾	151
AF-PB-18	16	24	17 ¾	42 ½	17 ¾	160
AF-PB-22	20	28 ½	17 ¾	44 ¾	17 ¾	173
AF-PB-30	28	37	23	51	17 ¾	230

QTY	MODEL	TAG	AREA OF COVERAGE (SQ FT)	DISTANCE AIR THROW (FT)	CFM	RPM	HP	VOLTS	PH	HZ	TYPE

<p>PROJECT: LOCATION: SUBMITTED BY: DATE:</p>	<p>CONTRACTOR: ENGINEER: APPROVED BY: DATE:</p>
---	---