

SUBMITTAL & SPECIFICATION SHEET



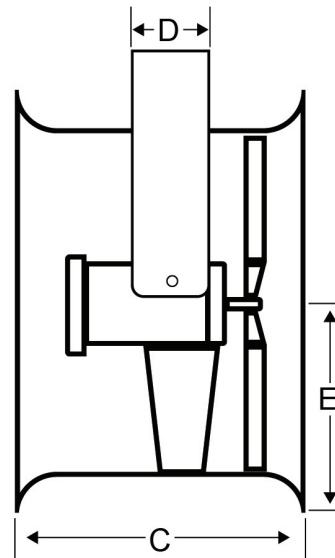
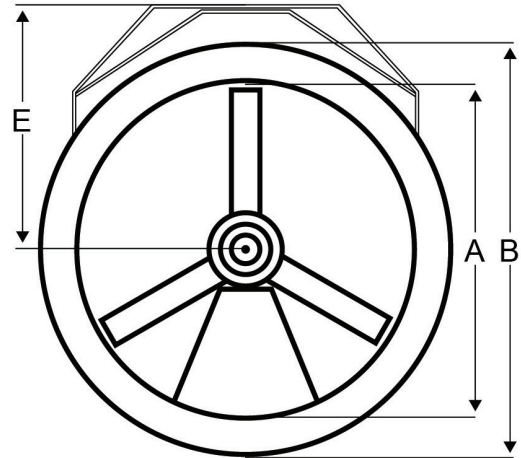
9668-D Heinrich Hertz Drive | San Diego, CA 92154
(888) 957-3448 | Romlair.com

MODEL AF-YM | Air Circulator, Yoke Mounted

Model AF-YM yoke mounted allows for easy adjustment up and down and side to side. Can be mounted to overhead beams or any other flat surface.

This type of mounting is also practical for installation in restricted sections such as mezzanines and low ceiling areas. These high velocity fans provide an even stream of air around the work area or building, effectively distributing air to 100% of the area.

- Yoke mounting
- Direct drive motor for minimal maintenance.
- Attractive deep spun 14 gauge steel housing.
- Safety guards, constructed of 1/2" mesh galvanized steel screen, on both the inlet and exhaust side of fan.
- Motor mounting bracket designed to fit most standard off-the-shelf motors.
- Power cord furnished on single phase units.
- Fan housing is coated with a thermally fused powdered polyurethane black finish.



DIMENSIONS & WEIGHTS

Model	A	B	C	D	E	SHIP WT
AF-YM-14	14 1/2	20	16	4	12 3/4	45
AF-YM-18	19	24	16	4	15	68
AF-YM-22	22 1/4	29	16	4	16 5/8	75
AF-YM-30	30 1/2	37	22	4	20 3/4	125

QTY	MODEL	TAG	AREA OF COVERAGE (SQ FT)	DISTANCE AIR THROW (FT)	CFM	RPM	HP	VOLTS	PH	HZ	TYPE

PROJECT: LOCATION: SUBMITTED BY: DATE:	CONTRACTOR: ENGINEER: APPROVED BY: DATE:
---	---