

SUBMITTAL & SPECIFICATION SHEET



9668-D Heinrich Hertz Drive | San Diego, CA 92154
(888) 957-3448 | Romlair.com

MODEL M MegaStream | HVLS

Model M MegaStream high volume low speed (HVLS) fans are ideal for providing near-ground effect (Airflow of 3 - 9 FT) air movement. The powerful, low speed motor ensures energy efficiency and quiet (<55 Dba.) operation. Units are customizable (blades, plates, controls) to fit each customer's needs.

FAN DIAMETER: 8 – 24 feet.

MOTOR: High-efficiency variable frequency drive (VFD). Power is dependent on blade size.

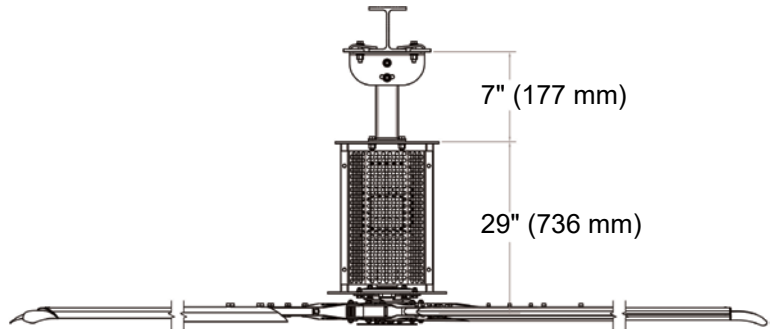
- 1.5 HP (8 FT - 20 FT)
- 2 HP (24 FT)

BLADES: Corrosion-resistant anodized blades in patent pending aluminum hub and blade support system. Efficient NACA Airfoil Profile Reduces Drag While Producing More Airflow. •

CONTROLS: Touch-screen control panel with forward/off/reverse switch, self-diagnostics, and 4-digit pass code protection. Wired control panel comes with a 25 FT power cable, pre-wired to the fan motor. Patented facility fire system compatibility

CERTIFICATION: UL 507 Certification.

SAFETY FEATURES: include fused disconnect, steel Hub, aircraft-grade safety cable, and guy wires.



FAN SIZE	HP	HANGING WEIGHT	CEILING SPACING	RPM
8 FT	1 HP	166 lbs.	55 feet	198
10 FT	1 HP	174 lbs.	60 feet	154
12 FT	1 HP	183 lbs.	65 feet	125
14 FT	1 HP	191 lbs.	70 feet	106
16 FT	2 HP	216 lbs.	90 feet	92
18 FT	2 HP	224 lbs.	95 feet	81
20 FT	2 HP	232 lbs.	100 feet	72
24 FT	2 HP	249 lbs.	110 feet	60

QTY	FAN DIAMETER	CALCULATED % OF MAX CFM	CFM	FAN RPM	INPUT POWER	VOLTAGE / PHASE / FREQUENCY	OPERATION DIRECTION	STAND BY POWER	EFFICIENCY (CFM / WATT)

<p>PROJECT: LOCATION: SUBMITTED BY: DATE:</p>	<p>CONTRACTOR: ENGINEER: APPROVED BY: DATE:</p>
---	---