

SUBMITTAL & SPECIFICATION SHEET



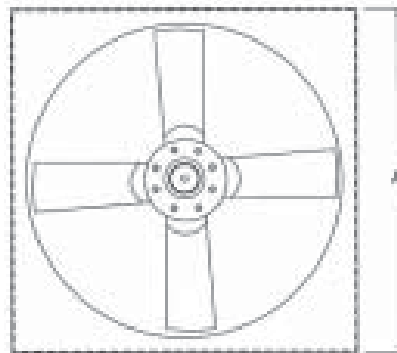
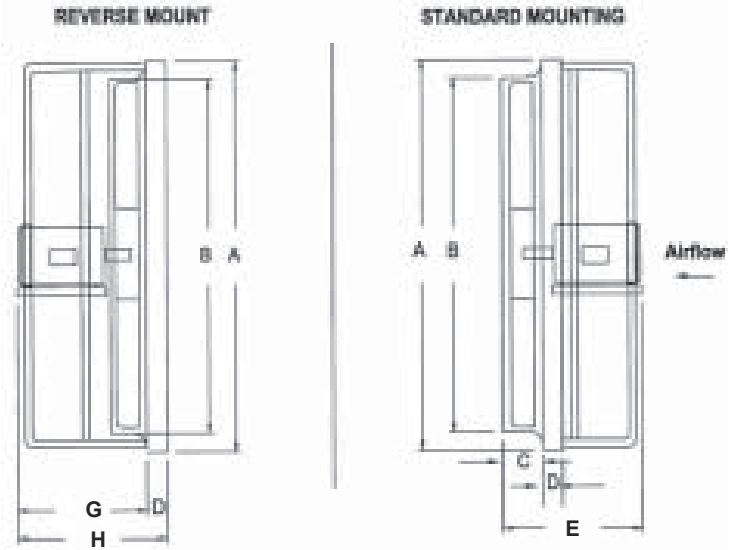
9668-D Heinrich Hertz Drive | San Diego, CA 92154
(888) 957-3448

MODEL P | Direct Drive Panel Fan

- Direct Drive Panel Fan
- Cast Aluminum Airfoil Propeller
- Deep Spun High-Efficiency Venturi for Superior Strength and Performance
- All Welded Construction
- Ball Bearing Motor for Years of Trouble Free Operation
- All Angle Operation - Vertically, Horizontally, any Intermediate Angle

Abbreviation for Accessories

- | | | | |
|-----|--|-----|-------------------------|
| WS | Wall Shutter | FG | Front safety guard |
| MWS | Motorized wall shutter 1/115v | WH | Wall Housing |
| VC | Motorized center pivot damper (supply) 1/115v | WHG | Wall Housing with Guard |
| RG | Motor side guard | WC | Wall Collar |
| | | EC | Epoxy Coating |



| SIZE | DIMENSIONS | | | | | | | AVG WT. |
|------|------------|----|-------|-------|--------|--------|--------|---------|
| | A | B | C | D | E | G | H | |
| 24 | 30 | 25 | 5 | 2 3/4 | 15 5/8 | 16 1/8 | 18 7/8 | 110 |
| 30 | 36 | 31 | 5 | 2 3/4 | 15 3/4 | 16 1/4 | 19 | 150 |
| 36 | 42 | 37 | 5 | 2 3/4 | 21 1/4 | 19 | 21 3/4 | 205 |
| 42 | 48 | 43 | 5 | 2 3/4 | 21 3/4 | 20 1/8 | 22 7/8 | 270 |
| 48 | 54 | 49 | 5 | 2 3/4 | 26 3/4 | 22 5/8 | 25 3/8 | 305 |
| 54 | 60 | 55 | 5 1/2 | 2 3/4 | 26 | 25 7/8 | 28 5/8 | 400 |
| 60 | 66 | 61 | 5 1/2 | 2 3/4 | 26 1/2 | 25 7/8 | 28 5/8 | 440 |

| MARK | MODEL | NO REQ'D | HP | SP | FAN RPM | VOLTS | HZ | TYPE | CFM | ACCESSORIES |
|------|-------|----------|----|----|---------|-------|----|------|-----|-------------|
| | | | | | | | | | | |
| | | | | | | | | | | |
| | | | | | | | | | | |
| | | | | | | | | | | |
| | | | | | | | | | | |

| | |
|---|---|
| <p>PROJECT: LOCATION: SUBMITTED BY: DATE:</p> | <p>CONTRACTOR: ENGINEER: APPROVED BY: DATE:</p> |
|---|---|