

SUBMITTAL & SPECIFICATION SHEET



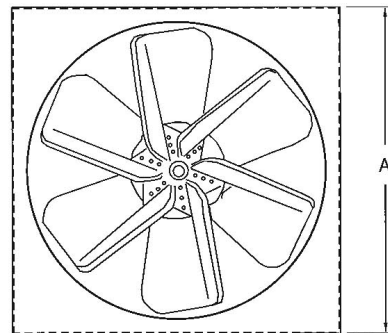
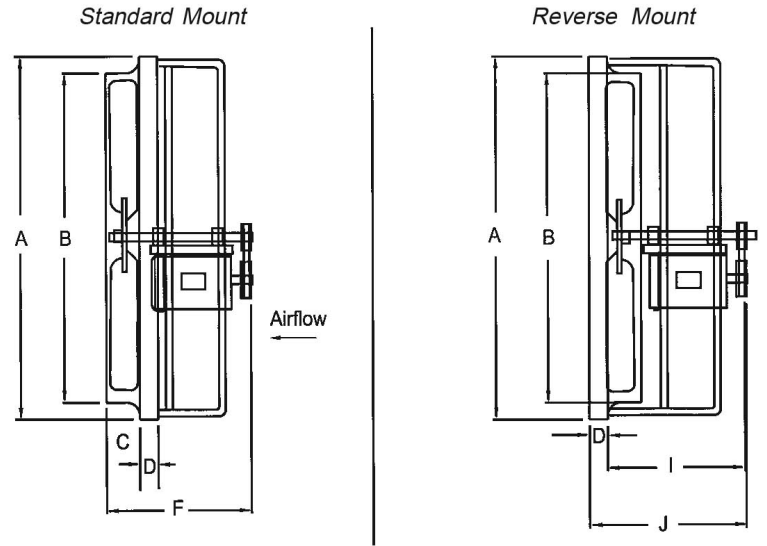
9668-D Heinrich Hertz Drive | San Diego, CA 92154
(888) 957-3448

MODEL PS | Belt Drive Panel Fan

- Belt Drive Panel Fan
- Heavy Duty Six-Bladed Steel Propeller
- Deep Spun High Efficiency Venturi
- For Superior Strength and Performance
- All-Welded Construction
- Self-Aligning Pillow Block Bearings
- Variable Pitch Drives to 7-1/2 Hp
- All Angle Operation - Vertically, Horizontally,
- Any Intermediate Angle
- Tested and Rated in Accordance with AMCA
- Standard 211

Abbreviation for Accessories

- | | | | |
|-----|-----------------------------------------------|-----|-------------------------|
| WS | Wall Shutter | FG | Front safety guard |
| MWS | Motorized wall shutter | WH | Wall Housing |
| | 1/115v | WHG | Wall Housing with Guard |
| VC | Motorized center pivot damper (supply) 1/115v | WC | Wall Collar |
| RG | Motor side guard | EC | Epoxy Coating |



SIZE	DIMENSIONS							AVG WT.
	A	B	C	D	F	I	J	
24	30	25	5	2 3/4	18 5/8	17 3/8	20 1/8	110
30	36	31	5	2 3/4	19 3/4	18 3/4	21 1/2	150
36	42	37	5	2 3/4	23 1/4	21 1/2	24 1/4	205
42	48	43	5	2 3/4	24 3/4	23	25 3/4	270
48	54	49	5	2 3/4	25 3/4	24 7/8	27 5/8	305
54	60	55	5 1/2	2 3/4	26	27	29 3/4	400
60	66	61	5 1/2	2 3/4	24 1/2	27 1/2	30 1/4	440
72	79	73	5 1/2	2 3/4	28 1/2	31 1/4	34 1/4	850

MARK	MODEL	NO REQ'D	HP	SP	FAN RPM	VOLTS	HZ	TYPE	CFM	ACCESSORIES

<p>PROJECT: LOCATION: SUBMITTED BY: DATE:</p>	<p>CONTRACTOR: ENGINEER: APPROVED BY: DATE:</p>
-----------------------------------------------------------	-------------------------------------------------------------