

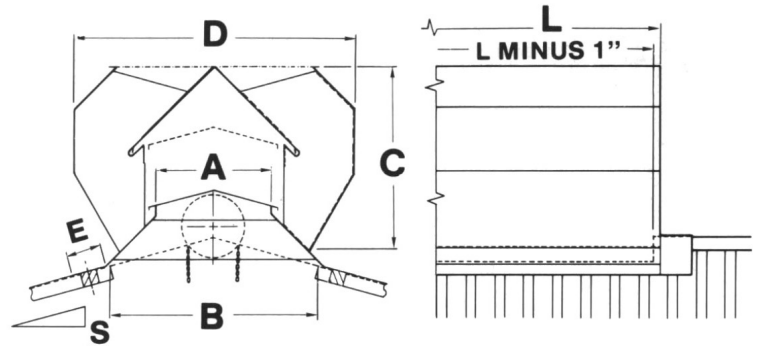
SUBMITTAL & SPECIFICATION SHEET



9668-D Heinrich Hertz Drive | San Diego, CA 92154
(888) 957-3448 | Romlair.com

MODEL RV | Ridge Ventilator

- Inconspicuous, high-volume exhaust ventilator.
- Ideal for metal buildings
- Standard 10' sections, end caps for single unit installation.
- Combined 10' sections, spliced together for multi-unit, continuous installation.
 - Unique slip type joint plates permit 10' sections to telescope without the need for separate fasteners.
- Dampers are optional. Raises and lowers to any position.
 - Single 10'-0" unit dampers have 20'-0" pull-chain operators
 - Multiple runs have screw operator with continuous drop chain 20'0" loop standard.



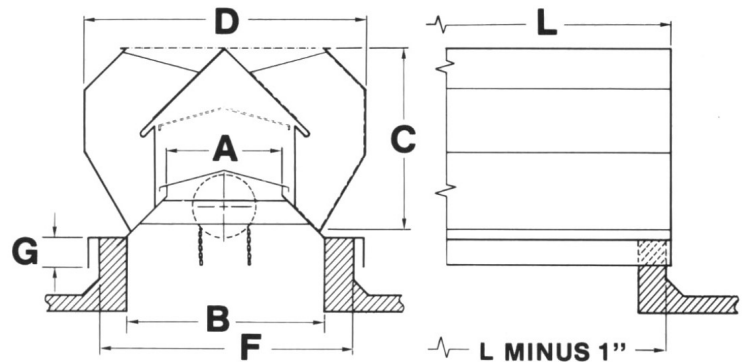
RIDGE TYPE

Optional Extras

- Bird Screen
- Extra Chain
- Extra Pulleys
- Special Finish _____
- Special Construction _____

DIMENSIONS

Model	A	B	C	D	E	F MAX.	GALV. GA
RV-4	4	11 1/8	7	10 3/4	2 7/8	15 1/8	24
RV-6	6	13 1/8	10 1/4	15	2 7/8	17 1/8	24
RV-9	9	16 1/8	14 1/4	22	2 7/8	20 1/8	24
RV-12	12	22 1/2	18 1/4	28 3/4	3 1/4	26 1/2	24
RV-15	15	25 5/8	24	36	3	29 5/8	22
RV-18	18	35 1/2	30	44	4	43 1/2	20
RV-24	24	44	38 1/2	58	5	52	20



CURB TYPE

NO. of Runs	MODEL	L Length of Run	S	Damper		ASSEM. 10' SECT	K.D.	OPTIONS
				YES	NO			

<p>PROJECT: LOCATION: SUBMITTED BY: DATE:</p>	<p>CONTRACTOR: ENGINEER: APPROVED BY: DATE:</p>
---	---