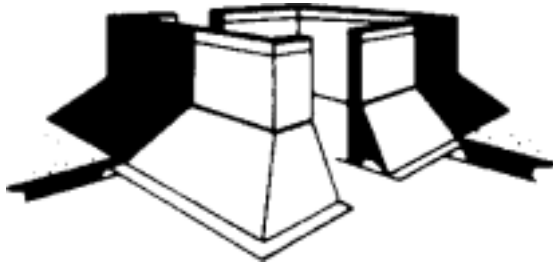


MODEL CF SUBMITTAL

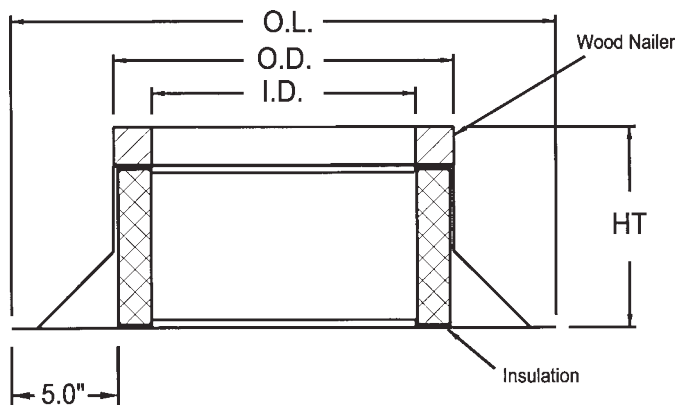
Model CF – Prefabricated Roofed Over Application



Romla Fans surface mounted curbs are provided to fit power roof exhausters, intake and relief vents, skylights, smoke hatches, or job fabricated items.

STANDARD FEATURES:

- 18 Gauge Galvanized Steel
- Roofed-Over Application
- All Welded Construction
- Mill Finish



QTY	CURB TYPE	O.D.	I.D.	O.L.	HT.	GT	MATERIAL	ACCESSORIES

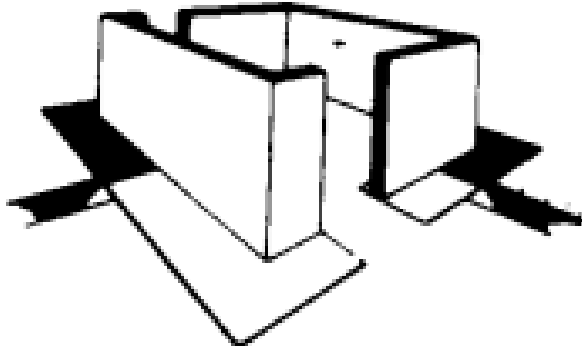
ADDITIONAL OPTIONS:

- 1-1/2" insulation
- Damper shelf
- Burglar bars, 6" centers each way
- Stainless steel or aluminum construction.

NOTE: Romla Fans is committed to product improvement and retains the right to change specifications and dimensions at will without prior notification.

MODEL SF SUBMITTAL

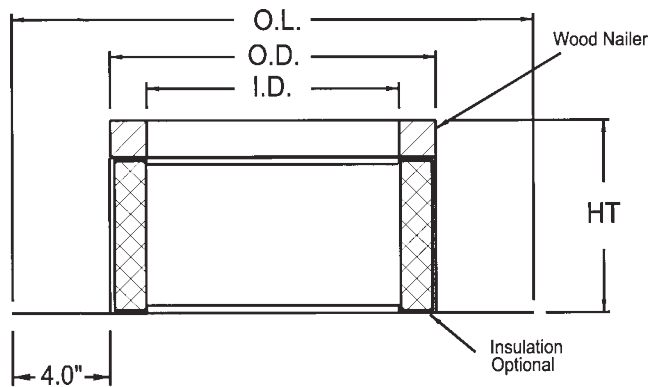
Model SF – Self-Flashing Curb



Romla Fans surface mounted curbs are provided to fit power roof exhausters, intake and relief vents, skylights, smoke hatches, or job fabricated items.

STANDARD FEATURES:

- 18 Gauge Galvanized Steel
- Self-Flashing Application
- All Welded Construction
- Mill Finish



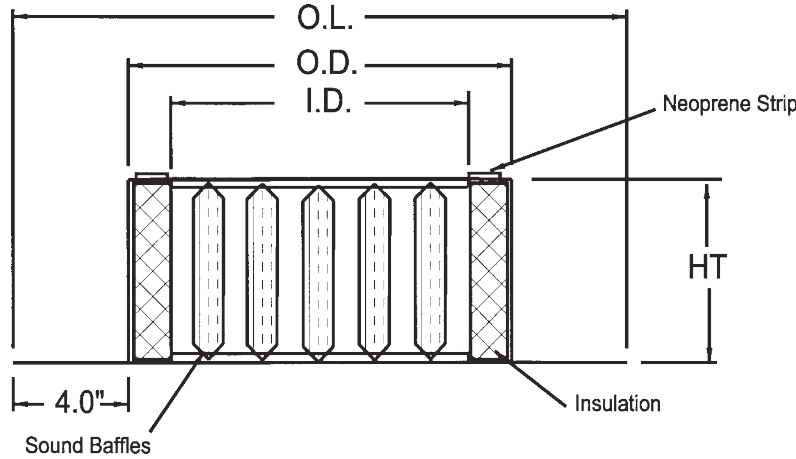
QTY	CURB TYPE	O.D.	I.D.	O.L.	HT.	GT	MATERIAL	ACCESSORIES

ADDITIONAL OPTIONS:

- 1-1/2" insulation
- Damper shelf
- Burglar bars, 6" centers each way
- Heavier gauge construction
- Aluminum construction
- Stainless steel construction

NOTE: Romla Fans is committed to product improvement and retains the right to change specifications and dimensions at will without prior notification.

MODEL SF-S SUBMITTAL



Model SF-S – Self-Flashing Curb

STANDARD FEATURES:

- Designed to reduce fan noise without adversely affecting fan performance.
- Permanently constructed baffles 1-1/2"
- 18-gauge galvanized steel
- Self-flashing application
- All welded construction
- Mill finish

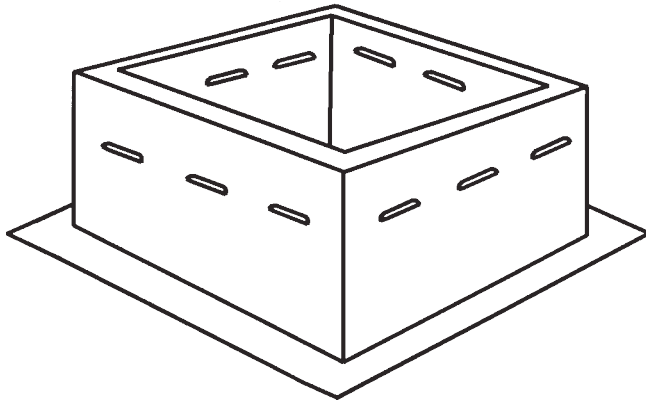
QTY	CURB TYPE	O.D.	I.D.	O.L.	HT.	GT	MATERIAL	ACCESSORIES

ADDITIONAL OPTIONS:

- Damper shelf
- Burglar bars, 6" centers each way HG
- Heavier gauge construction
- Aluminum construction SSC
- Stainless steel construction

NOTE: Romla Fans is committed to product improvement and retains the right to change specifications and dimensions at will without prior notification.

MODEL SV SUBMITTAL



Model SV - Vented Roof Curb

Romla Fans surface mounted curbs are provided to fit power roof exhausters, intake and relief vents, skylights, smoke hatches, or job fabricated items.

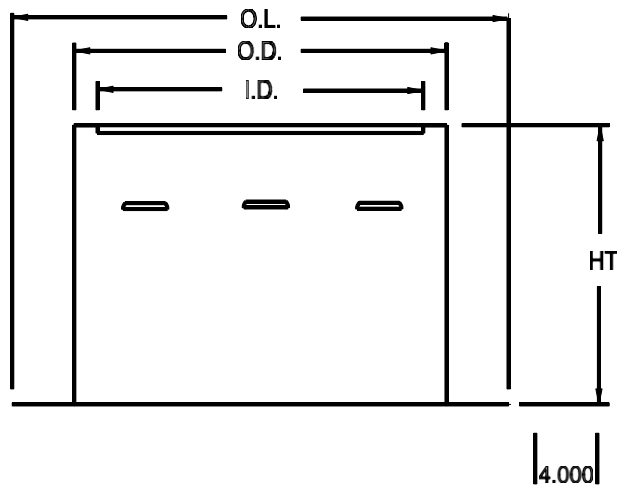
STANDARD FEATURES:

- 18 Gauge Galvanized Steel
- Self-Flashing Application
- All Welded Construction
- Mill Finish

QTY	CURB TYPE	O.D.	I.D.	O.L.	HT.	GT	MATERIAL	ACCESSORIES

ADDITIONAL OPTIONS:

- Burglar bars, 6" centers each way HG
- Heavier gauge construction
- Aluminum construction SSC
- Stainless steel construction



NOTE: Romla Fans is committed to product improvement and retains the right to change specifications and dimensions at will without prior notification.