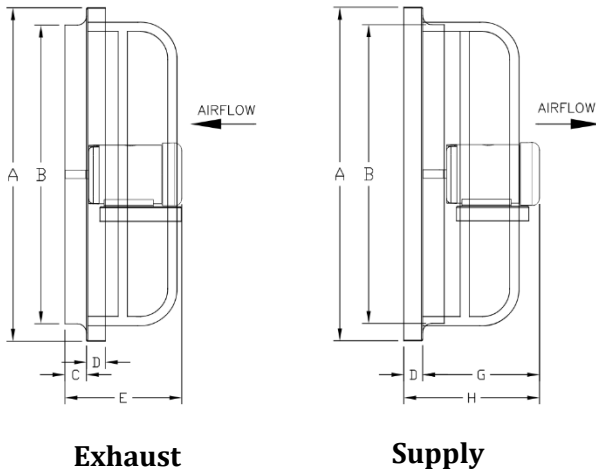


MODEL P OVERVIEW



Project Number:

Project Name:

Customer:

Date:

Product Information

Fan: P Series

Drive: Direct Drive

Material: Steel

Finish:

Motor(s):

Prop(s):

FAN SIZE	FAN DIMENSIONS (IN.)							AVG WT (LBS.)
	A	B	C	D	E	G	H	
24	30	25	5	2 3/4	15 5/8	16 1/8	18 7/8	185
30	36	31	5	2 3/4	15 3/4	16 1/4	19	235
36	42	37	5	2 3/4	21 1/4	19	21 3/4	270
42	48	43	5	2 3/4	21 3/4	20 1/8	22 7/8	280
48	54	49	5	2 3/4	26 3/4	22 5/8	25 3/8	376
54	60	55	5 1/2	2 3/4	26	25 7/8	28 5/8	400
60	66	61	5 1/2	2 3/4	26 1/2	25 7/8	28 5/8	415

TAGS	QTY	MODEL	HP	RPM	ELECTRICAL	STATIC PRESSURE	AIRFLOW

STANDARD FEATURES

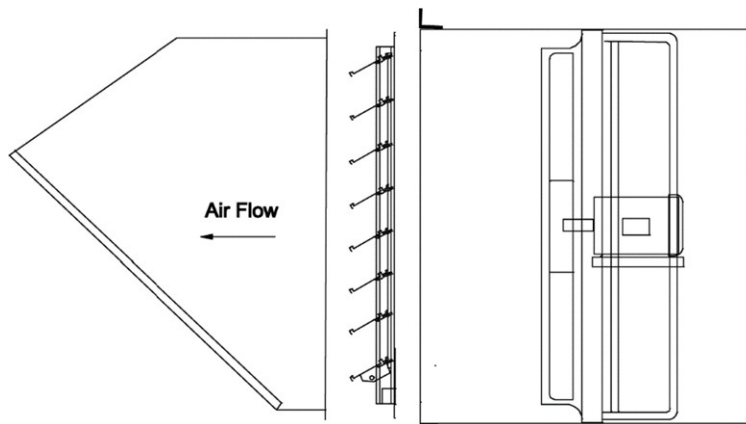
- **Flexible Design:** Units can be mounted in buildings in a variety of different ways to supply or exhaust air. Units are also compatible with a wide variety of options including rain hoods, guard screens, dampers, and more.
- **High Performance Prop:** Blades are manufactured with custom-selected material for ideal toughness and efficiency and mated with a cast aluminum hub.
- **Motor Frame:** The heavy duty all-welded frame provides a rigid platform for motor and propeller.
- **Minimal Maintenance Cost:** Maintenance costs are generally lower with direct drive fans since there are no belts or bearings to replace and no pulleys to adjust.
- **Heavy Duty Motor:** Standard motor selection is heavy duty TEFC. Direct drive motor operation will provide years of trouble-free operation.
- **Deep Spun Venturi:** Utilized for superior strength and higher efficiency.

NOTE: Romla Fans is committed to product improvement and retains the right to change specifications and dimensions at will without prior notification.

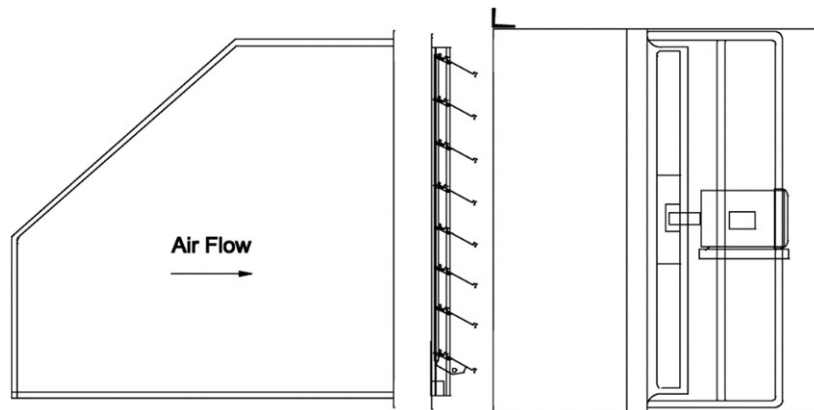
MODEL P STANDARDS

Model P panel fans shall be direct drive and designed for both exhaust and supply applications for use in most commercial and industrial buildings. The drive frame shall be of all-welded heavy-gauge steel construction. Each fan will utilize a deep spun orifice and either a wall housing or a wall collar for mounting depending on customer requirements.

Options such as panel fan housing and weather hoods shall be constructed of G90 galvanized steel and will be mill finish. Weather hoods will be either 45° (relief) or 90° (intake) configuration and have flanges for mounting to fan housing or filter box. Panel fan housing, fan, damper, and guards shall ship separately to be installed in field while weather hoods shall be shipped knocked down for field assembly.



Exhaust Configuration



Supply Configuration

NOTE: Unit may not include some accessories shown above.



WARNING! DO NOT USE IN HAZARDOUS ENVIRONMENTS WHERE THE FAN'S ELECTRICAL SYSTEM COULD IGNITE COMBUSTIBLE OR FLAMMABLE MATERIALS. In those situations, use units specifically built for hazardous environments. Guards must be installed when a fan is within reach of personnel or within seven (7) feet of working level or when deemed advisable for safety.



MODEL P PROJECT INFO & SPECIFICATIONS

Project Number:	Selected Features
Project Name:	Fan: P Series
Customer:	Drive: Direct Drive
Date:	Material: Steel
	Finish:
	Motor(s):
	Prop(s):

TAGS	QTY	MODEL	HP	RPM	ELECTRICAL	STATIC PRESSURE	AIRFLOW

ADDITIONAL OPTIONS

General Accessories

- Wall Collar
- Wall Housing
- Filter Box (Supply Only)
- Inner Guard (Motor-Side)
- Outer Guard (Fan-Side, Bird Screen)
- Outer Guard (Fan-Side, Insect Screen)

Disconnect *(ships loose)*

- NEMA3R
- NEMA4
- NEMA4X

Weather Hood

- 45° Assembled
- 90° Knocked Down (KD)

Install Accessories

- Knee Braces
- Lifting Lugs
- Install Hardware
- Custom Support Steel

Custom Finish

- Epoxy Coating
- Polyurethane Coating
- Custom:

Damper

- Gravity Damper
- Motorized Damper
- Factory-Mounted
- Ships Loose

PRODUCT NOTES

- Fan guards are required when equipment is less than (7) feet above floor or working level per OSHA requirements. Guards are available from Romla Fans or should be provided by installation personnel when deemed necessary.
- Fans may be furnished with factory-installed lifting lugs for quick and efficient installation. Consult the product I.O.M. for proper fan hoisting procedures.
- Fans must be installed with remote motor overload protection. Standard fan motors are not provided with inherent overload or overcurrent protection.

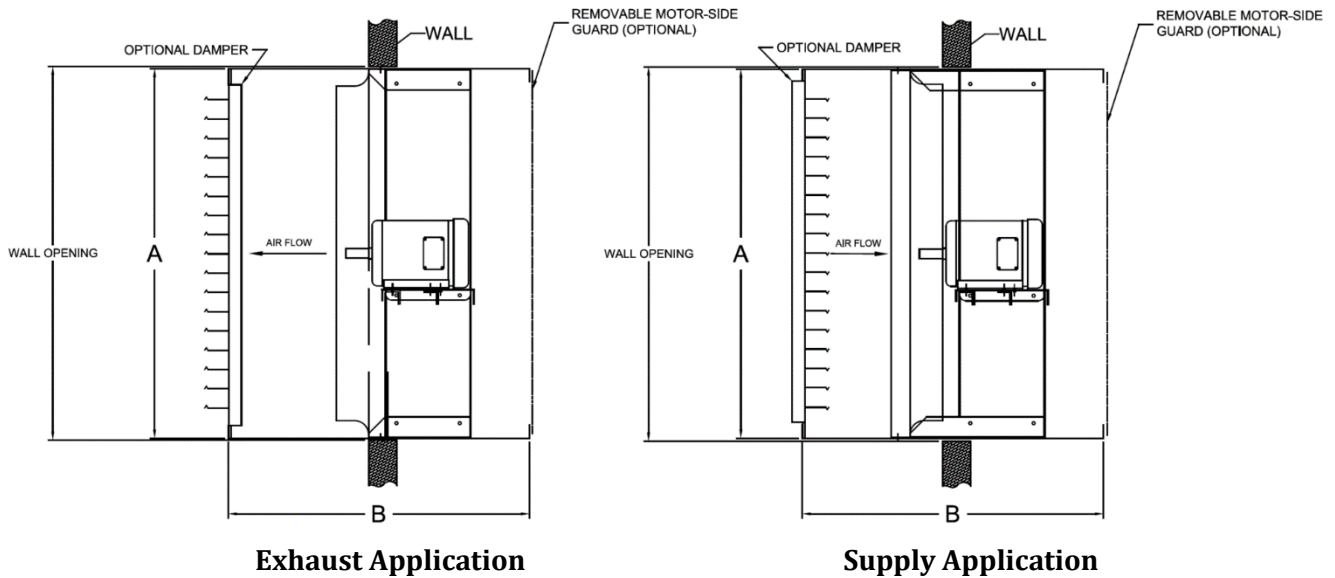
WARRANTY

Romla Fans guarantees this equipment to be free of defects in material and workmanship under normal use and service for a period of one year from the date of delivery. Romla Fans must be contacted within the one-year period with a warranty claim and the repair authorized by both parties. The location of warranty repairs, either in-field or at the factory, will be at the discretion of Romla Fans. This guarantee does not cover any damage caused by neglect of lubrication, accidental overload, or improper installation, nor does it cover the cost of repairs made or attempted outside the factory, without written authorization. Romla Fans only guarantees electric motors to the extent of the motor manufacturer's warranty. Correction of any verified defects by repair or replacement shall constitute fulfillment of this warranty.

NOTE: Romla Fans is committed to product improvement and retains the right to change specifications and dimensions at will without prior notification.

MODEL P WALL HOUSING

The Model P Wall Housing is ideal for easy fan mounting. Wall housings come completely assembled with fan unit installed, ready for mounting. Construction is heavy gauge G90 galvanized steel with a standard mill finish. Options like a fan-side guard, motor-side removable guard, gravity backdraft damper, motorized damper, or custom coating can be included on fans with wall housings.



FAN SIZE	DIMENSIONS (IN.)			HOUSING	AVG WT (LBS.)
	A	B	WALL OPENING		
24	30 3/8	28	31 1/2	16 GA	75
30	36 3/8	31	37 1/2	16 GA	95
36	42 3/8	35	43 1/2	16 GA	123
42	48 3/8	38	49 1/2	14 GA	187
48	54 3/8	41	55 1/2	14 GA	225
54	60 3/8	41	61 1/2	14 GA	250
60	66 3/8	41	67 1/2	14 GA	275

ACCESSORIES

- Motor-Side Guard
- Lifting Lugs

DAMPER

- Gravity Damper
- Motorized Damper

FINISH

- Mill Finish
- Epoxy Coating
- Polyurethane Coating
- Custom:

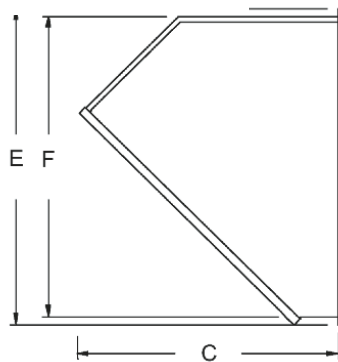
NOTE: Romla Fans is committed to product improvement and retains the right to change specifications and dimensions at will without prior notification.

MODEL P WEATHER HOOD

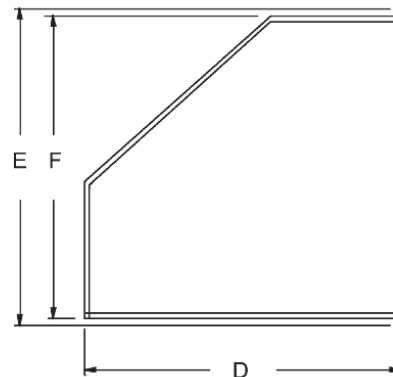


The Model P Weather Hood is ideal for providing wall-mounted fans with maximum weather protection. Weather hoods have a 45° or 90° configuration and come knocked down with hardware included, ready for field assembly and installation.

Construction is heavy gauge G90 galvanized steel. The 45° hood should be used for exhaust applications, while the 90° hood should be used for supply applications. Options like custom color coating and bird screen are available for weather hoods.



45° Weather Hood



90° Weather Hood

FAN SIZE	DIMENSIONS (IN.)				WIDTH	AVG WT (LBS.)
	C	D	E	F		
24	26 7/8	27 1/2	30 1/4	27 1/2	27 1/2	75
30	31 1/8	33 1/2	36 1/4	33 1/2	33 1/2	100
36	35 3/8	39 1/2	42 1/4	39 1/2	39 1/2	125
42	39 5/8	45 1/2	48 1/4	45 1/2	45 1/2	165
48	43 7/8	51 1/2	54 1/4	51 1/2	51 1/2	195
54	46 5/8	57 1/2	60 1/4	57 1/2	57 1/2	225
60	50 3/8	63 1/2	66 1/4	63 1/2	63 1/2	345
72	54	75 1/2	79 1/2	75 1/2	75 1/2	395

PROFILE

- 45° Hood
- 90° Hood

ACCESSORIES

- Outer Guard - Bird Screen
- Outer Guard - Insect Screen

FINISH

- Mill Finish
- Epoxy Coating
- Polyurethane Coating
- Custom:

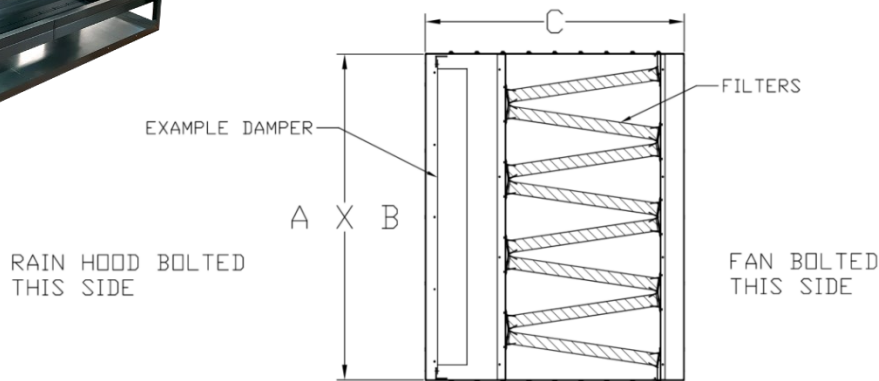
NOTE: Romla Fans is committed to product improvement and retains the right to change specifications and dimensions at will without prior notification.

MODEL P FILTER BOX



The Model P Filter Box is designed to pair with Romla Fans wall fans and provide clean supply air for a variety of commercial and industrial applications. The Model P filter box is a V-bank style air filter that can be used with a wide selection of filter options to meet customer needs.

Construction is heavy gauge G90 galvanized steel with hinged access doors and heavy-duty latches. Options include backdraft or motorized damper and custom color coating.



FAN SIZE	DIMENSIONS (IN.)			AVG WT (LBS.)
	A	B	C	
24	30-3/8	30-1/2	29-7/8	153
30	36-3/8	36-1/2	43	204
36	42-3/8	42-1/2	43	255
42	48-3/8	48-1/2	43	306
48	54-3/8	54-1/2	43	357
54	60-3/8	60-1/2	43	459
60	66-3/8	66-1/2	43	561
72	82-3/8	82-1/2	43	715

DAMPER

- Gravity Damper
- Motorized Damper

FILTERS

- Washable Aluminum Filters
- MERV 8 Filters (2 in. thick)
- MERV 9 Filters (2 in. thick)
- Custom Filter Option:

FINISH

- Mill Finish
- Epoxy Coating
- Polyurethane Coating
- Custom:

NOTE: Romla Fans is committed to product improvement and retains the right to change specifications and dimensions at will without prior notification.