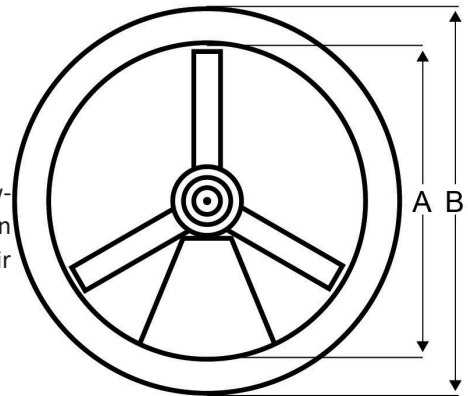


MODEL AF-CS OVERVIEW

Model AF-CS chain-suspended, high velocity fans provide an even stream of air around the work area or warehouse. They effectively distribute air to 100% of the area. This is more desirable than pedestal fans which can only cool a limited area and often get in the way in production or warehouse operations.

The chain suspension installation is the most popular, simple, and low-cost method of installation. These high-velocity fans provide an even stream of air around the work area or building, effectively distributing air to 100% of the area.



- Chain suspended mounting
- Direct drive motor for minimal maintenance.
- Attractive deep spun 14-gauge steel housing.
- Safety guards are 1/2" mesh galvanized steel screen, on both the inlet and exhaust side.
- Motor mounting brackets are designed to fit most standard off-the-shelf motors.
- Power cord furnished on single phase units.
- Fan housing is coated with thermally fused powdered polyurethane black finish.

DIMENSIONS & WEIGHTS								
MODEL	RPM	HP	COVERAGE AREA	AIR THROW DISTANCE (FT)	A	B	C	SHIP WT
AF-CS-14	1725	¼	1800	60	14 ½	20	16	38
AF-CS-18	1725	½	2400	80	19	24	16	57
AF-CS-22	1725	½	3600	120	22 ¼	29	16	61
AF-CS-30	1725	1	12000	200	30 ½	37	22	105

TAGS	QTY	MODEL	AREA OF COVERAGE (SQ FT)	AIR THROW DISTANCE (FT)	CFM	RPM	HP	VOLTS	PH	HZ	TYPE

PROJECT:	CONTRACTOR:
LOCATION:	ENGINEER:
SUBMITTED BY:	APPROVED BY:
DATE:	DATE:

Romla Fans maintains a policy of continuous product improvement. Specifications and dimensions are subject to change without notice.