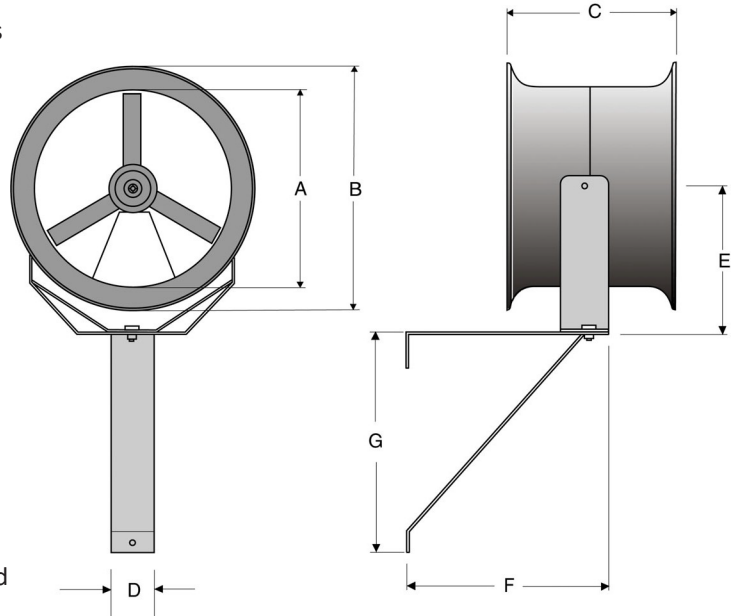


MODEL AF-CW OVERVIEW

Model AF-CW The column or wall mount features easy adjustment up and down and side to side. Provides an even stream of air around the work or warehouse area.

- Column or wall mounting.
- Direct driven.
- High performance zinc-alum propeller.
- Attractive deep spun 14-gauge steel housing.
- Safety guards on both the inlet and exhaust side of fan. 1/2" mesh galvanized steel screen.
- Motor mounting bracket designed to fit most standards of off-the-shelf motors.
- Power cord furnished on single phase units.
- Fan housing is coated with a thermally fused powered polyurethane black finish.
- 2-year warranty



DIMENSIONS & WEIGHTS

MODEL	RPM	HP	COVERAGE AREA	AIR THROW DISTANCE (FT)	A	B	C	D	E	F	G	SHIP WT
AF-YM-14	1725	¼	1800	60	14 ½	20	16	4	12 ¾	27	27 ¾	61
AF-YM-18	1725	½	2400	80	19	24	16	4	15	27	27 ¾	86
AF-YM-22	1725	½	3600	120	22 ¾	29	16	4	16 ¾	27	27 ¾	92
AF-YM-30	1725	1	12000	200	30 ½	37	22	4	20 ¾	27	27 ¾	149

TAGS	QTY	MODEL	AREA OF COVERAGE (SQ FT)	AIR THROW DISTANCE (FT)	CFM	RPM	HP	VOLTS	PH	HZ	TYPE

PROJECT:
 LOCATION:
 SUBMITTED BY:
 DATE:

CONTRACTOR:
 ENGINEER:
 APPROVED BY:
 DATE:

Romla Fans maintains a policy of continuous product improvement. Specifications and dimensions are subject to change without notice.