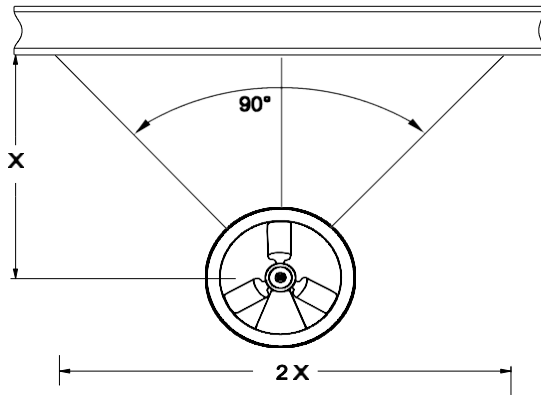
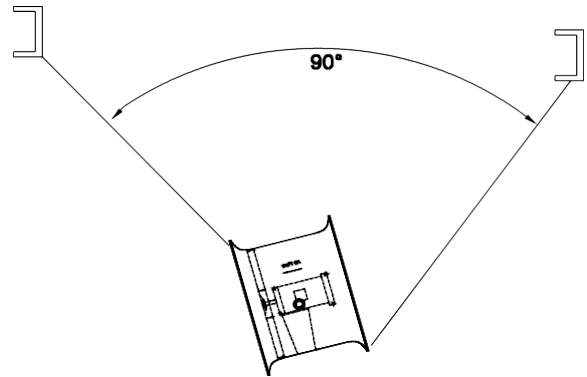


INSTALLATION, OPERATION, AND MAINTENANCE INSTRUCTIONS



Mounting Range



Approx 30° Tilt

MODEL AF-CS CHAIN SUSPENDED FANS

When suspended from above, these high velocity fans provide an even stream of air around the work area.

SHIPPING INSPECTION

Upon receiving the unit, check for any damage and report it immediately to the shipper. Also check to see that all accessory items are accounted for.

INSTALLATION

A model AF fan can be suspended in many ways, but it must be hung at the three points provided by eye bolts on the fan. Also verify that the materials used to suspend the fan are rated for the proper operating weight of the fan and workload.

1. The fan is shipped with the 3 eyebolts fastened to the fan and pointed in. Remove the 3 eyebolts and turn them around so that they are pointed out. This will provide more stability.
2. With the assistance of a mechanical lift, bring the factory assembled fan to the spot you wish to suspend. It is recommended that you take 3 lengths of chain, chains connectors, hardware, and cutter with you.
3. From the point of desired fan location, secure 2 of the lengths of chain to the beam approximately twice the distance the fan will be hanging from the beam. (SEE ILLUSTRATION). Center the third length of chain between the two front lengths of chain. Secure the chains to the beams.

4. Connect the chains to the eyebolts of the fan using the chain connectors.
5. Point the fan onto your target area while still on the mechanical lift.
6. Have another person plug the fan in and let the fan run for approximately 30 seconds. Adjust the fan with someone at the target area, someone at the fan, and someone at the power. **CAUTION: DO NOT ADJUST FAN WHILE IT IS OPERATING.**
7. Cut any excess chain.

SINGLE AND THREE PHASE MOTORS

Single phase 115v units are standard with a 12-foot cord and connector for standard 115v electrical outlets. Three phase units are not supplied with cord and connector. These will need to be supplied with an appropriate cord and connector or hard wired directly to 3 phase power.

PROPER FAN ROTATION

Check fan rotation upon startup. Standing in front of fan, the blade should be turning clockwise. If rotation needs to be reversed this usually can be accomplished by reversing the connection wires.

IMPORTANT SAFETY INFORMATION

1. Comply with all local, state and federal codes. Verify that the phase and voltage confirm to the motor and name plate information.
2. Motor needs to be adequately grounded.
3. Disconnect all remote power sources before performing any maintenance