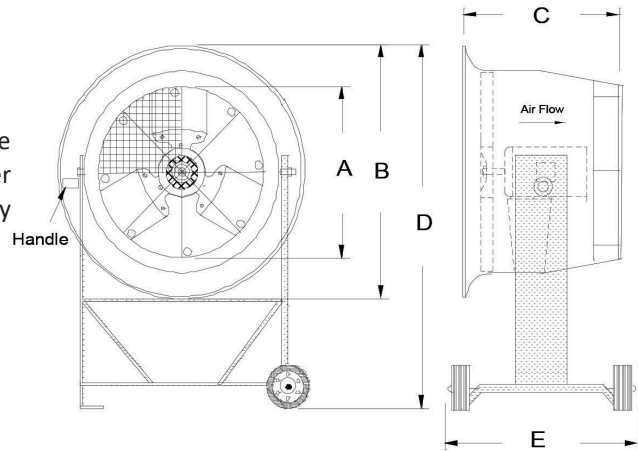


MODEL AF-PB OVERVIEW

Model AF-PB pedestal base fans provide the power of air circulator fan with the mobility of a pedestal fan. They are ideal for applications where different locations need improved air flow at different times.

These pedestal fans have a special inlet / outlet cone design that delivers substantially more air than other types of pedestal or box fans. The fan's heavy-duty construction will give a lifetime of reliable service.

- Pedestal base mounted
- Direct drive motor for minimal maintenance.
- Attractive deep spun 14-gauge steel housing.
- Safety guards, constructed of 1/2" mesh galvanized steel screen, on both the inlet and exhaust side of fan.
- Motor mounting brackets are designed to fit most standard off-the-shelf motors.
- Power cord furnished on single phase units.
- Fan housing is coated with thermally fused powdered polyurethane black finish.



DIMENSIONS & WEIGHTS										
MODEL	RPM	HP	COVERAGE AREA	AIR THROW DISTANCE (FT)	A	B	C	D	E	SHIP WT
AF-PB-14	1725	¼	1800	60	12	20 ¼	17 ¾	40 ⅝	17 ¾	151
AF-PB-18	1725	½	2400	80	16	24	17 ¾	42 ½	17 ¾	160
AF-PB-22	1725	½	3600	120	20	28 ½	17 ¾	44 ¾	17 ¾	173
AF-PB-30	1725	1	12000	200	28	37	23	51	17 ¾	230

TAGS	QTY	MODEL	AREA OF COVERAGE (SQ FT)	AIR THROW DISTANCE (FT)	CFM	RPM	HP	VOLTS	PH	HZ	TYPE

PROJECT: LOCATION: SUBMITTED BY: DATE:	CONTRACTOR: ENGINEER: APPROVED BY: DATE:
---	---

Romla Fans maintains a policy of continuous product improvement. Specifications and dimensions are subject to change without notice.