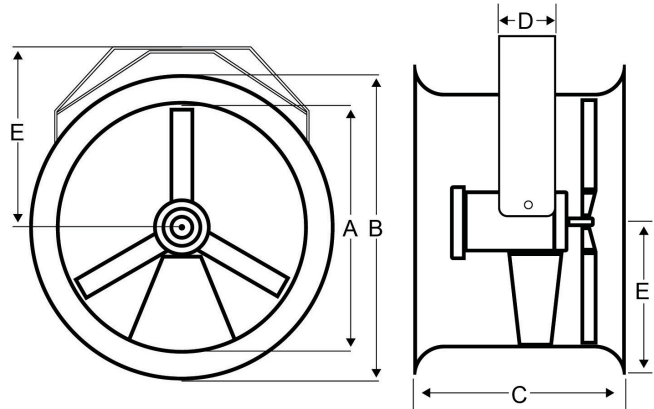


### MODEL AF-YM OVERVIEW

**Model AF-YM** yoke mounted allows for easy adjustment up and down and side to side. Can be mounted to overhead beams or any other flat surface.

This type of mounting is also practical for installation in restricted sections such as mezzanines and low ceiling areas. These high-velocity fans provide an even stream of air around the work area or building, effectively distributing air to 100% of the area.



- Yoke mounting
- Direct drive motor for minimal maintenance.
- Attractive deep spun 14 gauge steel housing.
- Safety guards, constructed of 1/2" mesh galvanized steel screen, on both the inlet and exhaust side of fan.
- Motor mounting brackets are designed to fit most standard off-the-shelf motors.
- Power cord furnished on single phase units.
- Fan housing is coated with thermally fused powdered polyurethane black finish.

DIMENSIONS & WEIGHTS										
MODEL	RPM	HP	COVERAGE AREA	AIR THROW DISTANCE (FT)	A	B	C	D	E	SHIP WT
AF-YM-14	1725	¼	1800	60	14 ½	20	16	4	12 ¾	45
AF-YM-18	1725	½	2400	80	19	24	16	4	15	68
AF-YM-22	1725	½	3600	120	22 ¾	29	16	4	16 ⅝	75
AF-YM-30	1725	1	12000	200	30 ½	37	22	4	20 ¾	125

TAGS	QTY	MODEL	AREA OF COVERAGE (SQ FT)	AIR THROW DISTANCE (FT)	CFM	RPM	HP	VOLTS	PH	HZ	TYPE

PROJECT:	CONTRACTOR:
LOCATION:	ENGINEER:
SUBMITTED BY:	APPROVED BY:
DATE:	DATE:

Romla Fans maintains a policy of continuous product improvement. Specifications and dimensions are subject to change without notice.